

# FUJISPRAY®

CATALOGUE AND  
PRODUCT KNOWLEDGE



## INTRODUCTION

# Welcome to Fuji Spray®

**As industry leading manufacturers of high quality HVLP turbine and compressed air spray equipment since 1986, our products meet the needs of both industry professionals and DIY-ers globally.**

**Fuji Spray's versatile spray equipment delivers a perfect finish every time for a wide range of finishing industries, including woodworking, automotive refinishing, marine, bathtub & kitchen resurfacing and sunless tanning.**

Fuji Spray systems offer the most environmentally friendly HVLP clean technology solutions. The high-volume low-pressure spray produces softer and smoother finishes – with upwards of 85% transfer efficiency – which equates to less material waste.

Fuji Spray holds patents in innovative designs for both the turbine systems and spray guns. Our products are proudly designed in Canada; and are backed by our world-class technical support team.

## THE PERFECT FINISH STARTS WITH FUJI SPRAY®

At Fuji Spray, we care about the finish, and we start by focusing on the customer experience.

We care about making high-quality, easy-to-use spray systems. And we care about your total satisfaction – in our products and our customer service. We provide training, product support, and helpful insights to help you achieve the best results with our equipment.

You're part of the Fuji Spray family and we want to help you finish strong.

Fuji Spray

# FUJI SPRAY CATALOGUE

## Index

<a href="#">Introduction</a>	01
<hr/>	
Turbine Systems	03
<hr/>	
<a href="#">Which HVLP system is the best for you?</a>	04
<hr/>	
Turbine Spray Guns	35
<hr/>	
<a href="#">Which HVLP spray gun is the best for you?</a>	36
<hr/>	
HVLP Spray Gun Viscosity Guide	37
<hr/>	
<a href="#">Compressor Spray Guns</a>	56
<hr/>	
<a href="#">Which compressor spray gun is the best for you?</a>	57
<hr/>	
<a href="#">Compressor Spray Gun Viscosity Guide</a>	58
<hr/>	
Miscellaneous Accessories	71
<hr/>	
<a href="#">Frequently Asked Questions</a>	72
<hr/>	
Resources	75



TURBINE SYSTEMS

**DIY-PRO™**

**Mini-Mite PLATINUM™**

**Q PLATINUM™**

## TURBINE SYSTEMS

**Which system is best for you?****DIY-PRO™ Series**

Entry level and budget-friendly

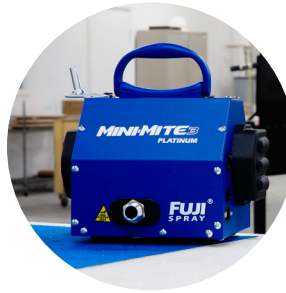
Small to medium jobs

Ideal for a variety of finishes, including stain, shellac, polyurethane, and lacquer

2-stage (5 psi) turbine motor

Choice of M-Model™ Bottom Feed or Gravity spray gun

25ft Hi-Flex™ hose with quick-connect fitting & air control valve

**Mini-Mite™ Series**

Portable, lightweight and powerful

Medium to heavy-duty jobs

Ideal for all varieties of finishes, ranging from stain, shellac, polyurethane, lacquer, oil & water-based paints & primers, and automotive coatings

Available in: 3-stage (6.5 psi), 4-stage (9.0 psi) or 5-stage (9.5 psi) turbine motor

Choice of one Fuji Spray gun T70™, T75G™ or G-XPC™

25ft Hi-Flex™ hose with quick-connect fitting & air control valve

Heat Dissipation Chamber™ to eliminate heat build-up and keep the turbine cool

5 for 5 Bonus Kit included with all Mini-Mite 5 PLATINUM™ systems only

**Q PLATINUM™ Series**

Q = Quiet

Medium to heavy-duty jobs

Ideal for all varieties of finishes, ranging from stain, shellac, polyurethane, lacquer, oil & water-based paints & primers, and automotive coatings

Available in: 3-stage (6.5 psi), 4-stage (9.0 psi) or 5-stage (9.5 psi) turbine motor

Choice of one Fuji Spray gun T70™, T75G™ or G-XPC™

25ft Hi-Flex™ hose with quick-connect fitting & air control valve

Heat Dissipation Chamber™ to eliminate heat build-up and keep the turbine cool

Quietest turbine on the market designed with Patented Noise Reduction Technology

Variable speed-control dial adjusts atomization of the coating (Q5 PLATINUM™ only)

5 for 5 Bonus Kit included with all Q5 PLATINUM™ systems only



## TURBINE SYSTEMS

### DIY-PRO™ Series

Whether you are a weekend warrior or an experienced hobbyist, the DIY-PRO™ series offers you the perfect combination of flexibility and performance to get the job done. It's the 'go-to' system for small workshops and home use, perfect for spraying cabinets, doors, trim, and furniture.

Housed in a durable metal turbine case, the 1400w 2-stage bypass motor provides enough power to atomize virtually any type of coating.

#### KEY FEATURES

- Budget friendly
- Lightweight and portable
- Standard 25ft Hi-Flex™ hose with quick-connect and air control valve
- Choice of M-Model™ Gravity (400cc cup capacity) or Bottom Feed (1 Qt. cup capacity) non-bleed spray gun
- M-Model™ spray guns are convertible from gravity to bottom feed, and vice-versa; as well as easy to disassemble for hassle-free clean up and maintenance
- Multiple air cap sizes available in variety of sizes ranging from 0.8mm to 2.0mm for spraying of various materials in different viscosity levels from stains to paints with little or no dilution
- Dedicated fan pattern control easily adjusts wide to narrow spray patterns
- 2-year warranty on parts and labor
- Handy gun-holder
- Quick-change filters
- EXTRA set of turbine filters and cup parts kit included with Hobby-PRO 2™ only
- Each system includes: User manual, Ford #4 viscosity cup, spray gun wrench and cleaning brush

## SPECIFICATION CHART

**DIY-PRO™ Series**

COMPONENTS	2202 Semi-PRO 2™ BOTTOM	2203G Semi-PRO 2™ GRAVITY	2250 Hobby-PRO 2™ BOTTOM
Motor Type	2-stage (5 psi)		
Wattage, Voltage Hertz, Ampere	1400 W, 110-120 V 60 Hz, 11.5 Amp		
Turbine Dimensions	11" x 8.6" x 8.1"		
Turbine Weight	12.35 lbs		
Hose	25ft Hi-Flex™ with quick-connect and air control valve		
Spray Gun	M-Model™ Bottom	M-Model™ Gravity	M-Model™ Bottom
Cup Capacity	Aluminum 1 Qt (1000 cc)	Aluminum (400 cc)	Aluminum 1 Qt (1000 cc)
Stock Air Cap	1.3mm	1.3mm	1.8mm
Warranty	24 months - parts and labor		

**NOTE**

220-240 volts (50Hz) turbines available via special order.



## DIY-PRO™ SERIES

**2202****SEMI-PRO™**

With M-Model™ Bottom Feed

## SPECIFICATIONS

- 5.0 psi output
- 2-stage 110-120v volts (60 Hz) and 11.5 amps turbine motor
- M-Model™ Bottom Feed (1 Qt. cup capacity)
- Standard 1.3mm air cap set
- 2-year warranty on parts and labor

## BOTTOM FEED

## SPRAY GUN ACCESSORIES

#2098	Cup Parts Kit
#2092	1 Qt. Aluminum Cup
#2093T	1 Qt. Aluminum Cup (Teflon Coated)
#2024-5	Pressure Tube/Check Valves (5 pack)
#2096-3	Plastic Diaphragm (3 pack)
#2097-10	Gaskets 1Qt. Cup Lid (10 pack)
#9055-10	Strainers (10 pack)

## TURBINE ACCESSORIES

#4009-2	Turbine Filters (2 pack)
#2049F	6' Whip Hose - Blue

## NOTE

220-240 volts (50Hz) & 5.75 amps turbine available via special order.

## AIR CAP SET SIZES

#7020-1	Air Cap Set (0.8mm)
#7020-2	Air Cap Set (1.0mm)
#7020-3	Air Cap Set (1.3mm) (Standard)
#7020-4	Air Cap Set (1.5mm)
#7020-5	Air Cap Set (1.8mm)
#7020-6	Air Cap Set (2.0mm)





## DIY-PRO™ SERIES

# 2203G

## SEMI-PRO™

With M-Model™ Gravity Feed

### SPECIFICATIONS

- 5.0 psi output
- 2-stage 110-120v volts (60 Hz) and 11.5 amps turbine motor
- M-Model™ Gravity Feed (400c cup capacity)
- Standard 1.3mm air cap set
- 2-year warranty on parts and labor

#### GRAVITY FEED

### SPRAY GUN ACCESSORIES

#2030	Cup Parts Kit
#9960	U-Tube 400cc Gravity Cup Conversion
#2024L-5	Pressure Tube Long/Check Valves (5 pack)
#9050-5	Gaskets 400cc Gravity Cup (5 pack)

### TURBINE ACCESSORIES

#4009-2	Turbine Filters (2 pack)
#2049F	6' Whip Hose - Blue

### AIR CAP SET SIZES

#7020-1	Air Cap Set (0.8mm)
#7020-2	Air Cap Set (1.0mm)
#7020-3	Air Cap Set (1.3mm) (Standard)
#7020-4	Air Cap Set (1.5mm)
#7020-5	Air Cap Set (1.8mm)
#7020-6	Air Cap Set (2.0mm)

#### NOTE

220-240 volts (50Hz) & 5.75 amps turbine available via special order.



DIY-PRO™ SERIES

**2250**

**HOBBY-PRO™**

With M-Model™ Bottom Feed

### SPECIFICATIONS

- 5.0 psi output
- 2-stage 110-120v volts (60 Hz) and 11.5 amps turbine motor
- M-Model™ Bottom Feed (1 Qt. cup capacity)
- Standard 1.8mm air cap set
- 2-year warranty on parts and labor

BOTTOM FEED

### SPRAY GUN ACCESSORIES

#2098	Cup Parts Kit
#2092	1 Qt. Aluminum Cup
#2093T	1 Qt. Aluminum Cup (Teflon Coated)
#2024-5	Pressure Tube/Check Valves (5 pack)
#2096-3	Plastic Diaphragm (3 pack)
#2097-10	Gaskets 1Qt. Cup Lid (10 pack)
#9055-10	Strainers (10 pack)

### AIR CAP SET SIZES

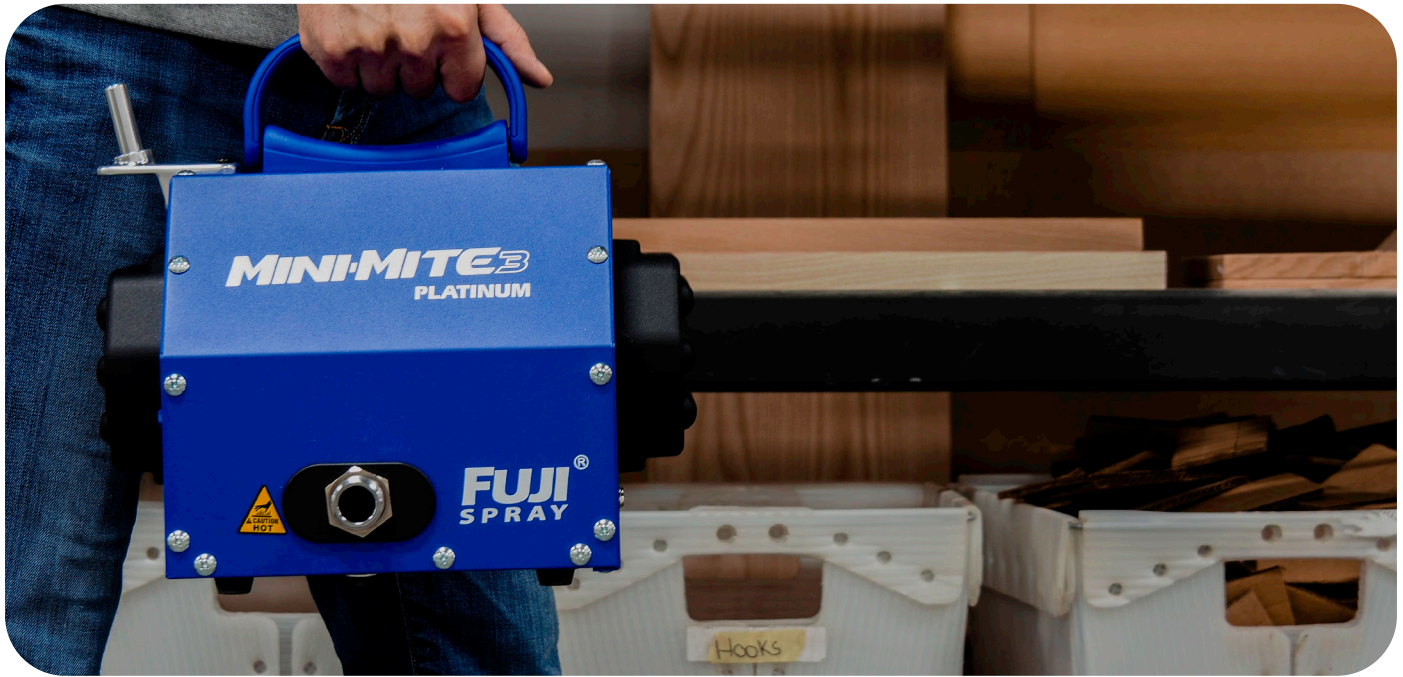
#7020-1	Air Cap Set (0.8mm)
#7020-2	Air Cap Set (1.0mm)
#7020-3	Air Cap Set (1.3mm)
#7020-4	Air Cap Set (1.5mm)
#7020-5	Air Cap Set (1.8mm) <b>(Standard)</b>
#7020-6	Air Cap Set (2.0mm)

### TURBINE ACCESSORIES

#4009-2	Turbine Filters (2 pack)
#2068	6' Whip Hose - Black

### NOTE

220-240 volts (50Hz) & 5.75 amps turbine available via special order.



## TURBINE SYSTEMS

### Mini-Mite PLATINUM™ Series

Professional woodworkers and cabinetmakers – we've got you covered! The award-winning Fuji Spray Mini-Mite PLATINUM™ Series packs enough power and portability to help you tackle your fine-finishing projects. With our revolutionary Mini-Mite 3 PLATINUM™, Mini-Mite 4 PLATINUM™, and Mini-Mite 5 PLATINUM™, you can use a range of high and low viscosity materials to spray virtually any substrate imaginable!

#### EXCLUSIVE TO FUJI SPRAY

### Heat Dissipation Chamber™



- 01 Cooler operating temperatures and increased motor longevity
- 02 No blowing around of dust or debris and no added hiss or whistle
- 03 60 optimally designed airholes dissipate heat evenly

Fuji Spray has designed a unique method of removing any heat build up from the turbine case. Excess heat is channeled through a Heat Dissipation Chamber™ (HDC) located at the rear of the case.

Since the hot air is dissipated evenly through an optimum surface area of 60 holes, there is no added hiss or loud whistling noise. There is also no blowing around of debris.

The benefits of a cooler running unit results in a longer life for your turbine motor compared to standard turbines.

## TURBINE SYSTEMS

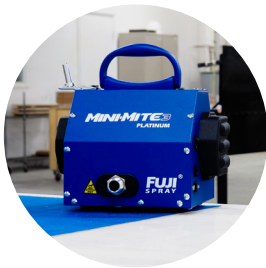
# Mini-Mite PLATINUM™ Series

### KEY FEATURES

- Rugged, lightweight, and portable metal turbine case
- Heat Dissipation Chamber™ – dissipates heat resulting in increased turbine motor life
- Noise Reduction Covers™ – muffles the operating level by removing direct sound paths; resulting in a quieter overall spray experience compared to previous models
- Handy gun-holder
- Quick-change filters
- Standard 25ft Hi-Flex™ hose with quick-connect and air control valve
- Choice of one Fuji Spray gun (T70™, T75G™ or G-XPC™), which easily disassemble for hassle-free clean up and maintenance
- U.S. Patented side-mounted Fan Pattern Control™ – unique to Fuji Spray, simply adjusts fan from circular to wide
- Three fan pattern orientations – horizontal, vertical, and circle
- Multiple air cap sizes ranging from 0.8mm to 2.5mm available for spraying of various materials in different viscosity levels from stains to paints with little or no dilution
- Each system includes user manual, Ford #4 viscosity cup, spray gun wrench and cleaning brush.
- 5 for 5 Kit included with Mini-Mite 5 PLATINUM™ only. Includes 6' whip hose, 19 piece spray gun cleaning kit, turbine filters, wet film gauge and “Always Measure Booklet”
- 2-year warranty on parts and labor

### WHAT PEOPLE SAY

## About their Mini-Mite PLATINUM™



☞

Thank you, Fuji Spray!

I'm using the Mini-Mite 3 since 2012 and have never regretted that!

Serge Zhuravlev, Grus Woodcraft  
@grus\_woodcraft



☞

To say I'm stoked to put this Fuji sprayer through the paces the next few weeks is a massive understatement. I purchased it at as a recommendation, went ahead and built a shelf so I'd have something to test it out in. Laid lacquer out like glass!

Travis Elliot, Dairy Barn Woodworking  
@ncdtrav

## SPECIFICATION CHART

**Mini-Mite PLATINUM™ Series**

COMPONENTS	Mini-Mite 3 PLATINUM™	Mini-Mite 4 PLATINUM™	Mini-Mite 5 PLATINUM™
Motor Type	3-stage (6.5 psi)	4-stage (9.0 psi)	5-stage (9.5 psi)
Wattage, Voltage Hertz, Ampere	1500 W, 110-120 V 60 Hz, 11.5 Amp	1400 W, 110-120 V 60 Hz, 11.5 Amp	1600 W, 110-120 V 60 Hz, 11.5 Amp
Turbine Dimensions	11" x 8.6" x 8.1"		
Turbine Weight	12.35 lbs		
Hose	25ft Hi-Flex™ with quick-connect and air control valve		
Spray Gun (Choice of one)	T70™ Bottom T75G™ Gravity G-XPC™ Side Mounted Gravity		
Cup Capacity	T70™ Bottom Aluminum 1 Qt (1000cc)	T75G™ Gravity Nylon (600cc)	G-XPC™ Aluminum (400cc)
Stock Air Cap	T70™ Bottom 1.3mm	T75G™ Gravity 1.3mm	G-XPC™ 1.4mm
Warranty	24 months - parts and labor		

**NOTE**

220-240 volts (50Hz) 3, 4, or 5-stage turbines available via special order.



## MINI-MITE PLATINUM™ SERIES

# 2903-T70

## MINI-MITE 3 PLATINUM™

WITH T70™ BOTTOM FEED

### SPECIFICATIONS

- 6.5 psi output
- 3-stage 110-120v volts (60 Hz) and 11.5 amps turbine motor
- T-Model™ Bottom Feed (1 Qt. cup capacity)
- Standard 1.3mm air cap set
- 2-year warranty on parts and labor

BOTTOM FEED

### SPRAY GUN ACCESSORIES

#2098	Cup Parts Kit
#2092	1 Qt. Aluminum Cup
#2093T	1 Qt. Aluminum Cup (Teflon Coated)
#2024-5	Pressure Tube/Check Valves (5 pack)
#2096-3	Plastic Diaphragm (3 pack)
#2097-10	Gaskets 1Qt. Cup Lid (10 pack)
#9055-10	Strainers (10 pack)

### AIR CAP SET SIZES

#5100-1	Air Cap Set (0.8mm)
#5100-2	Air Cap Set (1.0mm)
#5100-3	Air Cap Set (1.3mm) (Standard)
#5100-4	Air Cap Set (1.5mm)
#5100-5	Air Cap Set (1.8mm)
#5100-6	Air Cap Set (2.0mm)
#5100-7	Air Cap Set (2.5mm)

### TURBINE ACCESSORIES

#7224-2	Turbine Filters (2 pack)
#2049F	6' Whip Hose - Blue

### NOTE

220-240 volts (50Hz) & 5.75 amps turbine available via special order.



## MINI-MITE PLATINUM™ SERIES

# 2803-T75G

## MINI-MITE 3 PLATINUM™

WITH T75G™ GRAVITY FEED

### SPECIFICATIONS

- 6.5 psi output
- 3-stage 110-120v volts (60 Hz) and 11.5 amps turbine motor
- T-Model™ Gravity Feed (600cc cup capacity)
- Standard 1.3mm air cap set
- 2-year warranty on parts and labor

GRAVITY FEED

### SPRAY GUN ACCESSORIES

#2060	Cup Parts Kit (#9760 Cup)
#9760	600cc Aluminum Gravity Cup Assembly
#9860	600cc Nylon Gravity Cup Assembly
#2024L-5	Pressure Tube Long/Check Valves (5 pack)
#9030-10	Stainless Steel Mesh Barrel Strainers (10 pack)
#9720-5	Gaskets (5 pack) (#9760 Cup)

### AIR CAP SET SIZES

#5100-1	Air Cap Set (0.8mm)
#5100-2	Air Cap Set (1.0mm)
#5100-3	Air Cap Set (1.3mm) <b>(Standard)</b>
#5100-4	Air Cap Set (1.5mm)
#5100-5	Air Cap Set (1.8mm)
#5100-6	Air Cap Set (2.0mm)
#5100-7	Air Cap Set (2.5mm)

### TURBINE ACCESSORIES

#7224-2	Turbine Filters (2 pack)
#2049F	6' Whip Hose - Blue

### NOTE

220-240 volts (50Hz) & 5.75 amps turbine available via special order.



## MINI-MITE PLATINUM™ SERIES GXPC-2803 MINI-MITE 3 PLATINUM™

WITH G-XPC™ GRAVITY FEED

### SPECIFICATIONS

- 6.5 psi output
- 3-stage 110-120v volts (60 Hz) and 11.5 amps turbine motor
- G-XPC™ Gravity Feed (400cc cup capacity)
- Standard 1.4mm air cap set
- 2-year warranty on parts and labor

GRAVITY FEED

### SPRAY GUN ACCESSORIES

#2030	Cup Parts Kit
#9850	400cc Aluminum Gravity Cup Assembly
#9870	600cc Nylon Gravity Cup Assembly
#2024L-5	Pressure Tube Long/Check Valves (5 pack)
#9050-5	400cc Gaskets (5 pack)

### TURBINE ACCESSORIES

#7224-2	Turbine Filters (2 pack)
#2049F	6' Whip Hose - Blue

### AIR CAP SET SIZES

#8050-2	Air Cap Set (0.7mm)
#8050-3	Air Cap Set (1.0mm)
#8050-4	Air Cap Set (1.4mm) (Standard)
#8050-5	Air Cap Set (1.8mm)
#8050-6	Air Cap Set (2.2mm)

### NOTE

220-240 volts (50Hz) & 5.75 amps turbine available via special order.





## MINI-MITE PLATINUM™ SERIES

# 2904-T70

## MINI-MITE 4 PLATINUM™

WITH T70™ BOTTOM FEED

### SPECIFICATIONS

- 9.0 psi output
- 4-stage 110-120v volts (60 Hz) and 11.5 amps turbine motor
- T-Model™ Bottom Feed (1 Qt. cup capacity)
- Standard 1.3mm air cap set
- 2-year warranty on parts and labor

#### BOTTOM FEED

### SPRAY GUN ACCESSORIES

#2098	Cup Parts Kit
#2092	1 Qt. Aluminum Cup
#2093T	1 Qt. Aluminum Cup (Teflon Coated)
#2024-5	Pressure Tube/Check Valves (5 pack)
#2096-3	Plastic Diaphragm (3 pack)
#2097-10	Gaskets 1Qt. Cup Lid (10 pack)
#9055-10	Strainers (10 pack)

### AIR CAP SET SIZES

#5100-1	Air Cap Set (0.8mm)
#5100-2	Air Cap Set (1.0mm)
#5100-3	Air Cap Set (1.3mm) (Standard)
#5100-4	Air Cap Set (1.5mm)
#5100-5	Air Cap Set (1.8mm)
#5100-6	Air Cap Set (2.0mm)
#5100-7	Air Cap Set (2.5mm)

### TURBINE ACCESSORIES

#7224-2	Turbine Filters (2 pack)
#2049F	6' Whip Hose - Blue

### NOTE

220-240 volts (50Hz) & 5.75 amps turbine available via special order.



## MINI-MITE PLATINUM™ SERIES

# 2804-T75G

## MINI-MITE 4 PLATINUM™

WITH T75G™ GRAVITY FEED

### SPECIFICATIONS

- 9.0 psi output
- 4-stage 110-120v volts (60 Hz) and 11.5 amps turbine motor
- T-Model™ Gravity Feed (600cc cup capacity)
- Standard 1.3mm air cap set
- 2-year warranty on parts and labor

GRAVITY FEED

### SPRAY GUN ACCESSORIES

#2060	Cup Parts Kit (#9760 Cup)
#9760	600cc Aluminum Gravity Cup Assembly
#9860	600cc Nylon Gravity Cup Assembly
#2024L-5	Pressure Tube Long/Check Valves (5 pack)
#9030-10	Stainless Steel Mesh Barrel Strainers (10 pack)
#9720-5	Gaskets (5 pack) (#9760 Cup)

### AIR CAP SET SIZES

#5100-1	Air Cap Set (0.8mm)
#5100-2	Air Cap Set (1.0mm)
#5100-3	Air Cap Set (1.3mm) <b>(Standard)</b>
#5100-4	Air Cap Set (1.5mm)
#5100-5	Air Cap Set (1.8mm)
#5100-6	Air Cap Set (2.0mm)
#5100-7	Air Cap Set (2.5mm)

### TURBINE ACCESSORIES

#7224-2	Turbine Filters (2 pack)
#2049F	6' Whip Hose - Blue

### NOTE

220-240 volts (50Hz) & 5.75 amps turbine available via special order.



## MINI-MITE PLATINUM™ SERIES

# GXPC-2804

## MINI-MITE 4 PLATINUM™

WITH G-XPC™ GRAVITY FEED

### SPECIFICATIONS

- 9.0 psi output
- 4-stage 110-120v volts (60 Hz) and 11.5 amps turbine motor
- G-XPC™ Gravity Feed (400cc cup capacity)
- Standard 1.4mm air cap set
- 2-year warranty on parts and labor

#### GRAVITY FEED

### SPRAY GUN ACCESSORIES

#2030	Cup Parts Kit
#9850	400cc Aluminum Gravity Cup Assembly
#9870	600cc Nylon Gravity Cup Assembly
#2024L-5	Pressure Tube Long/Check Valves (5 pack)
#9050-5	400cc Gaskets (5 pack)

### AIR CAP SET SIZES

#8050-2	Air Cap Set (0.7mm)
#8050-3	Air Cap Set (1.0mm)
#8050-4	Air Cap Set (1.4mm) <b>(Standard)</b>
#8050-5	Air Cap Set (1.8mm)
#8050-6	Air Cap Set (2.2mm)

### TURBINE ACCESSORIES

#7224-2	Turbine Filters (2 pack)
#2049F	6' Whip Hose - Blue

### NOTE

220-240 volts (50Hz) & 5.75 amps turbine available via special order.



## MINI-MITE PLATINUM™ SERIES

# 2905-T70

## MINI-MITE 5 PLATINUM™

WITH T70™ BOTTOM FEED

### SPECIFICATIONS

- 9.5 psi output
- 5-stage 110-120v volts (60 Hz) and 11.5 amps turbine motor
- T-Model™ Bottom Feed (1 Qt. cup capacity)
- Standard 1.3mm air cap set
- 2-year warranty on parts and labor

+ BONUS 5 FOR 5 KIT INCLUDED

BOTTOM FEED

### SPRAY GUN ACCESSORIES

#2098	Cup Parts Kit
#2092	1 Qt. Aluminum Cup
#2093T	1 Qt. Aluminum Cup (Teflon Coated)
#2024-5	Pressure Tube/Check Valves (5 pack)
#2096-3	Plastic Diaphragm (3 pack)
#2097-10	Gaskets 1Qt. Cup Lid (10 pack)
#9055-10	Strainers (10 pack)

### AIR CAP SET SIZES

#5100-1	Air Cap Set (0.8mm)
#5100-2	Air Cap Set (1.0mm)
#5100-3	Air Cap Set (1.3mm) (Standard)
#5100-4	Air Cap Set (1.5mm)
#5100-5	Air Cap Set (1.8mm)
#5100-6	Air Cap Set (2.0mm)
#5100-7	Air Cap Set (2.5mm)

### TURBINE ACCESSORIES

#7224-2	Turbine Filters (2 pack)
#2049F	6' Whip Hose - Blue

### NOTE

220-240 volts (50Hz) & 5.75 amps turbine available via special order.



## MINI-MITE PLATINUM™ SERIES

# 2805-T75G

## MINI-MITE 5 PLATINUM™

WITH T75G™ GRAVITY FEED

### SPECIFICATIONS

- 9.5 psi output
- 5-stage 110-120v volts (60 Hz) and 11.5 amps turbine motor
- T-Model™ Gravity Feed (600cc cup capacity)
- Standard 1.3mm air cap set
- 2-year warranty on parts and labor

+ BONUS 5 FOR 5 KIT INCLUDED

GRAVITY FEED

### SPRAY GUN ACCESSORIES

#2060	Cup Parts Kit (#9760 Cup)
#9760	600cc Aluminum Gravity Cup Assembly
#9860	600cc Nylon Gravity Cup Assembly
#2024L-5	Pressure Tube Long/Check Valves (5 pack)
#9030-10	Stainless Steel Mesh Barrel Strainers (10 pack)
#9720-5	Gaskets (5 pack) (#9760 Cup)

### AIR CAP SET SIZES

#5100-1	Air Cap Set (0.8mm)
#5100-2	Air Cap Set (1.0mm)
#5100-3	Air Cap Set (1.3mm) (Standard)
#5100-4	Air Cap Set (1.5mm)
#5100-5	Air Cap Set (1.8mm)
#5100-6	Air Cap Set (2.0mm)
#5100-7	Air Cap Set (2.5mm)

### TURBINE ACCESSORIES

#7224-2	Turbine Filters (2 pack)
#2049F	6' Whip Hose - Blue

### NOTE

220-240 volts (50Hz) & 5.75 amps turbine available via special order.



## MINI-MITE PLATINUM™ SERIES GXPC-2805 MINI-MITE 5 PLATINUM™

WITH G-XPC™ GRAVITY FEED

### SPECIFICATIONS

- 9.5 psi output
- 5-stage 110-120v volts (60 Hz) and 11.5 amps turbine motor
- G-XPC™ Gravity Feed (400cc cup capacity)
- Standard 1.4mm air cap set
- 2-year warranty on parts and labor

+ BONUS 5 FOR 5 KIT INCLUDED

GRAVITY FEED

### SPRAY GUN ACCESSORIES

#2030	Cup Parts Kit
#9850	400cc Aluminum Gravity Cup Assembly
#9870	600cc Nylon Gravity Cup Assembly
#2024L-5	Pressure Tube Long/Check Valves (5 pack)
#9050-5	400cc Gaskets (5 pack)

### TURBINE ACCESSORIES

#7224-2	Turbine Filters (2 pack)
#2049F	6' Whip Hose - Blue

### AIR CAP SET SIZES

#8050-2	Air Cap Set (0.7mm)
#8050-3	Air Cap Set (1.0mm)
#8050-4	Air Cap Set (1.4mm) (Standard)
#8050-5	Air Cap Set (1.8mm)
#8050-6	Air Cap Set (2.2mm)

### NOTE

220-240 volts (50Hz) & 5.75 amps turbine available via special order.



## TURBINE SYSTEMS

# Q PLATINUM™ Series

The Fuji Spray® Q PLATINUM™ Series is for those who simply want the best spray experience. Considered the quietest operating turbine on the market today, the Q PLATINUM™ Series is the ultimate tool in terms of power and control, allowing you to focus on what really matters - the quality of your work. The patented noise reduction technology coupled with the unique Heat Dissipation Chamber™ makes the Q PLATINUM™ series stand out in the industry. The Q PLATINUM™ Series systems are perfect for medium to heavy painting projects, as well as finishing cabinets, furniture, trim and more.

### EXCLUSIVE TO FUJI SPRAY

## Heat Dissipation Chamber™



- 01 Cooler operating temperatures and increased motor longevity
- 02 No blowing around of dust or debris and no added hiss or whistle
- 03 60 optimally designed airholes dissipate heat evenly

Fuji Spray has designed a unique method of removing any heat build up from the turbine case. Excess heat is channeled through a Heat Dissipation Chamber™ (HDC) located at the rear of the case.

Since the hot air is dissipated evenly through an optimum surface area of 60 holes, there is no added hiss or loud whistling noise. There is also no blowing around of debris.

The benefits of a cooler running unit results in a longer life for your turbine motor compared to standard turbines.

## THE Q PLATINUM™ DIFFERENCE

**PATENTED NOISE REDUCTION TECHNOLOGY**

- 01 Reduces operating noise levels by 50%
- 02 Rated at 60dba  
The same rate as typical conversation
- 03 Internal airflow configurations eliminate direct sound path

The most desirable feature for any turbine is for it to be as quiet as possible. Patented in the USA, Fuji Spray has reduced the turbine noise levels by 50% without causing any unwanted challenges, such as overheating through air restriction.

The Fuji Spray Q Series turbines have computer-designed airflow configurations that completely eliminate “direct sound paths” found on low to mid-priced HVLP turbine systems available today.

**KEY FEATURES**

- Rugged metal turbine case with quick-change friction fit filter
- Heat Dissipation Chamber™ – dissipates heat resulting in increased turbine motor life
- U.S. Patented noise reduction technology, reducing operating decibel levels by 50%, creating the quietest operating turbine on the market
- Variable Speed Control Dial (Q5 system only) – controls motor speed, allowing the operator to adjust the pressure output based on the coating being sprayed
- Handy gun-holder
- Standard 25ft Hi-Flex™ hose with quick-connect and air control valve
- Choice of one Fuji Spray® gun (T70™, T75G™ or G-XPC™), which easily disassemble for hassle-free clean up and maintenance
- U.S. Patented side-mounted Fan Pattern Control™ – unique to Fuji Spray® simply adjusts fan from circular to wide
- Three fan pattern orientations – horizontal, vertical, and circle
- Multiple air cap sizes ranging from 0.8mm to 2.5mm available for spraying of various materials in different viscosity levels from stains to paints with little or no dilution
- Each system includes user manual, Ford #4 viscosity cup, spray gun wrench and cleaning brush
- 5 for 5 Kit included with Q5 PLATINUM™ only. Includes 6' whip hose, 19 piece spray gun cleaning kit, turbine filters, wet film gauge and “Always Measure Booklet”
- 2-year warranty on parts and labor



## TURBINE SYSTEMS

# Q PLATINUM™ Series

### WHAT PEOPLE SAY

## About their Q PLATINUM™



I find the motor variable speed feature to be an important feature for me.

The Q5 Platinum is the best turbine I've ever used, bar none.

Marty Schlosser, Apex Woodworks  
@apexwoodworks



This unit is simply amazing. Super easy to use, even easier to clean, and DEAD QUIET! When you're working in a garage workshop, spraying usually doesn't seem like an option. Cheaper HVLP systems are loud, have a TON of overspray, and waste product. None of that is true with Fuji Spray.

Brandon Hogg and Brittany Markee, Knotty Burl Woodworks  
@knottyburlwoodworks



This Fuji Spray Q5 is a workhorse and a huge add to my shop. The T70 bottom feed gun sprays amazingly well and feels great doing it. I can't wait to get to finishing the next project with this machine!

Mike Coffey, Coffey Custom Builds  
@coffeycustombuilds



Couldn't be more pleased with the build and spray quality of this 5-stage turbine spray system from Fuji Spray! Such a pro setup and definitely the only way to go for a finer finish in a small shop.

Nick Sawyer, Sawyer Design Furniture  
@sawyer\_design

## SPECIFICATION CHART

**Q PLATINUM™ Series**

COMPONENTS	Q3 PLATINUM™	Q4 PLATINUM™	Q5 PLATINUM™
Motor Type	3-stage (6.5 psi)	4-stage (9.0 psi)	5-stage (9.5 psi)
Wattage, Voltage Hertz, Ampere	1500 W, 110-120 V 60 Hz, 12 Amp	1400 W, 110-120 V 60 Hz, 13 Amp	1600 W, 110-120 V 60 Hz, 14.5 Amp
Turbine Dimensions	14.87" x 11.5" x 9"		
Turbine Weight	22.29 lbs	22.73 lbs	24.06 lbs
Hose	25ft Hi-Flex™ with quick-connect and air control valve		
Spray Gun (Choice of one)	T70™ Bottom T75G™ Gravity G-XPC™ Side Mounted Gravity		
Cup Capacity	T70™ Bottom Aluminum 1 Qt (1000 cc)	T75G™ Gravity Nylon (600 cc)	G-XPC™ Aluminum (400 cc)
Stock Air Cap	T70™ Bottom 1.3mm	T75G™ Gravity 1.3mm	G-XPC™ Gravity 1.4mm
Warranty	24 months - parts and labor		

**NOTE**

220-240 volts (50Hz) 3, 4, or 5-stage turbines available via special order.



## Q PLATINUM™ SERIES

# 3003-T70

## Q3 PLATINUM™

WITH T70™ BOTTOM FEED

### SPECIFICATIONS

- 6.5 psi output
- 3-stage 110-120v volts (60 Hz) and 11.5 amps turbine motor
- T-Model™ Bottom Feed (1 Qt. cup capacity)
- Standard 1.3mm air cap set
- 2-year warranty on parts and labor

#### BOTTOM FEED

### SPRAY GUN ACCESSORIES

#2098	Cup Parts Kit
#2092	1 Qt. Aluminum Cup
#2093T	1 Qt. Aluminum Cup (Teflon Coated)
#2024-5	Pressure Tube/Check Valves (5 pack)
#2096-3	Plastic Diaphragm (3 pack)
#2097-10	Gaskets 1Qt. Cup Lid (10 pack)
#9055-10	Strainers (10 pack)

### AIR CAP SET SIZES

#5100-1	Air Cap Set (0.8mm)
#5100-2	Air Cap Set (1.0mm)
#5100-3	Air Cap Set (1.3mm) (Standard)
#5100-4	Air Cap Set (1.5mm)
#5100-5	Air Cap Set (1.8mm)
#5100-6	Air Cap Set (2.0mm)
#5100-7	Air Cap Set (2.5mm)

### TURBINE ACCESSORIES

#5029	Turbine Filter
#2049F	6' Whip Hose - Blue

### NOTE

220-240 volts (50Hz) & 5.75 amps turbine available via special order.

## Q PLATINUM™ SERIES

**2893-T75G****Q3 PLATINUM™**

WITH T75G™ GRAVITY FEED

## SPECIFICATIONS

- 6.5 psi output
- 3-stage 110-120v volts (60 Hz) and 11.5 amps turbine motor
- T-Model™ Gravity Feed (600cc cup capacity)
- Standard 1.3mm air cap set
- 2-year warranty on parts and labor



GRAVITY FEED

## SPRAY GUN ACCESSORIES

#2060	Cup Parts Kit (#9760 Cup)
#9760	600cc Aluminum Gravity Cup Assembly
#9860	600cc Nylon Gravity Cup Assembly
#2024L-5	Pressure Tube Long/Check Valves (5 pack)
#9030-10	Stainless Steel Mesh Barrel Strainers (10 pack)
#9720-5	Gaskets (5 pack) (#9760 Cup)

## AIR CAP SET SIZES

#5100-1	Air Cap Set (0.8mm)
#5100-2	Air Cap Set (1.0mm)
#5100-3	Air Cap Set (1.3mm) (Standard)
#5100-4	Air Cap Set (1.5mm)
#5100-5	Air Cap Set (1.8mm)
#5100-6	Air Cap Set (2.0mm)
#5100-7	Air Cap Set (2.5mm)

## TURBINE ACCESSORIES

#5029	Turbine Filter
#2049F	6' Whip Hose - Blue

## NOTE

220-240 volts (50Hz) &amp; 5.75 amps turbine available via special order.



## Q PLATINUM™ SERIES

# GXPC-2893

## Q3 PLATINUM™

WITH G-XP3™ GRAVITY FEED

### SPECIFICATIONS

- 6.5 psi output
- 3-stage 110-120v volts (60 Hz) and 11.5 amps turbine motor
- G-XP3™ Gravity Feed (400cc cup capacity)
- Standard 1.4mm air cap set
- 2-year warranty on parts and labor

#### GRAVITY FEED

### SPRAY GUN ACCESSORIES

#2030	Cup Parts Kit
#9850	400cc Aluminum Gravity Cup Assembly
#9870	600cc Nylon Gravity Cup Assembly
#2024L-5	Pressure Tube Long/Check Valves (5 pack)
#9050-5	400cc Gaskets (5 pack)

### TURBINE ACCESSORIES

#5029	Turbine Filter
#2049F	6' Whip Hose - Blue

### AIR CAP SET SIZES

#8050-2	Air Cap Set (0.7mm)
#8050-3	Air Cap Set (1.0mm)
#8050-4	Air Cap Set (1.4mm) (Standard)
#8050-5	Air Cap Set (1.8mm)
#8050-6	Air Cap Set (2.2mm)

### NOTE

220-240 volts (50Hz) & 5.75 amps turbine available via special order.



## Q PLATINUM™ SERIES

# 3004-T70

## Q4 PLATINUM™

WITH T70™ BOTTOM FEED

### SPECIFICATIONS

- 9.0 psi output
- 4-stage 110-120v volts (60 Hz) and 11.5 amps turbine motor
- T-Model™ Bottom Feed (1 Qt. cup capacity)
- Standard 1.3mm air cap set
- 2-year warranty on parts and labor

BOTTOM FEED

### SPRAY GUN ACCESSORIES

#2098	Cup Parts Kit
#2092	1 Qt. Aluminum Cup
#2093T	1 Qt. Aluminum Cup (Teflon Coated)
#2024-5	Pressure Tube/Check Valves (5 pack)
#2096-3	Plastic Diaphragm (3 pack)
#2097-10	Gaskets 1Qt. Cup Lid (10 pack)
#9055-10	Strainers (10 pack)

### AIR CAP SET SIZES

#5100-1	Air Cap Set (0.8mm)
#5100-2	Air Cap Set (1.0mm)
#5100-3	Air Cap Set (1.3mm) (Standard)
#5100-4	Air Cap Set (1.5mm)
#5100-5	Air Cap Set (1.8mm)
#5100-6	Air Cap Set (2.0mm)
#5100-7	Air Cap Set (2.5mm)

### TURBINE ACCESSORIES

#5029	Turbine Filter
#2049F	6' Whip Hose - Blue

### NOTE

220-240 volts (50Hz) & 5.75 amps turbine available via special order.



## Q PLATINUM™ SERIES

# 2894-T75G

## Q4 PLATINUM™

WITH T75G™ GRAVITY FEED

### SPECIFICATIONS

- 9.0 psi output
- 4-stage 110-120v volts (60 Hz) and 11.5 amps turbine motor
- T-Model™ Gravity Feed (600cc cup capacity)
- Standard 1.3mm air cap set
- 2-year warranty on parts and labor

GRAVITY FEED

### SPRAY GUN ACCESSORIES

#2060	Cup Parts Kit (#9760 Cup)
#9760	600cc Aluminum Gravity Cup Assembly
#9860	600cc Nylon Gravity Cup Assembly
#2024L-5	Pressure Tube Long/Check Valves (5 pack)
#9030-10	Stainless Steel Mesh Barrel Strainers (10 pack)
#9720-5	Gaskets (5 pack) (#9760 Cup)

### AIR CAP SET SIZES

#5100-1	Air Cap Set (0.8mm)
#5100-2	Air Cap Set (1.0mm)
#5100-3	Air Cap Set (1.3mm) (Standard)
#5100-4	Air Cap Set (1.5mm)
#5100-5	Air Cap Set (1.8mm)
#5100-6	Air Cap Set (2.0mm)
#5100-7	Air Cap Set (2.5mm)

### TURBINE ACCESSORIES

#5029	Turbine Filter
#2049F	6' Whip Hose - Blue

### NOTE

220-240 volts (50Hz) & 5.75 amps turbine available via special order.



## Q PLATINUM™ SERIES

# GXPC-2894

## Q4 PLATINUM™

WITH G-XPC™ GRAVITY FEED

### SPECIFICATIONS

- 9.0 psi output
- 4-stage 110-120v volts (60 Hz) and 11.5 amps turbine motor
- G-XPC™ Gravity Feed (400cc cup capacity)
- Standard 1.4mm air cap set
- 2-year warranty on parts and labor

#### GRAVITY FEED

### SPRAY GUN ACCESSORIES

#2030	Cup Parts Kit
#9850	400cc Aluminum Gravity Cup Assembly
#9870	600cc Nylon Gravity Cup Assembly
#2024L-5	Pressure Tube Long/Check Valves (5 pack)
#9050-5	400cc Gaskets (5 pack)

### AIR CAP SET SIZES

#8050-2	Air Cap Set (0.7mm)
#8050-3	Air Cap Set (1.0mm)
#8050-4	Air Cap Set (1.4mm) <b>(Standard)</b>
#8050-5	Air Cap Set (1.8mm)
#8050-6	Air Cap Set (2.2mm)

### TURBINE ACCESSORIES

#5029	Turbine Filter
#2049F	6' Whip Hose - Blue

#### NOTE

220-240 volts (50Hz) & 5.75 amps turbine available via special order.





## Q PLATINUM™ SERIES

# 3005-T70

## Q5 PLATINUM™

WITH T70™ BOTTOM FEED

### SPECIFICATIONS

- 9.5 psi output
- 5-stage 110-120v volts (60 Hz) and 11.5 amps turbine motor
- T-Model™ Bottom Feed (1 Qt. cup capacity)
- Standard 1.3mm air cap set
- 2-year warranty on parts and labor

+ BONUS 5 FOR 5 KIT INCLUDED

#### BOTTOM FEED

### SPRAY GUN ACCESSORIES

#2098	Cup Parts Kit
#2092	1 Qt. Aluminum Cup
#2093T	1 Qt. Aluminum Cup (Teflon Coated)
#2024-5	Pressure Tube/Check Valves (5 pack)
#2096-3	Plastic Diaphragm (3 pack)
#2097-10	Gaskets 1Qt. Cup Lid (10 pack)
#9055-10	Strainers (10 pack)

### AIR CAP SET SIZES

#5100-1	Air Cap Set (0.8mm)
#5100-2	Air Cap Set (1.0mm)
#5100-3	Air Cap Set (1.3mm) (Standard)
#5100-4	Air Cap Set (1.5mm)
#5100-5	Air Cap Set (1.8mm)
#5100-6	Air Cap Set (2.0mm)
#5100-7	Air Cap Set (2.5mm)

### TURBINE ACCESSORIES

#5029	Turbine Filter
#2049F	6' Whip Hose - Blue

### NOTE

220-240 volts (50Hz) & 5.75 amps turbine available via special order.



## Q PLATINUM™ SERIES

# 2895-T75G

## Q5 PLATINUM™

WITH T75G™ GRAVITY FEED

### SPECIFICATIONS

- 9.5 psi output
- 5-stage 110-120v volts (60 Hz) and 11.5 amps turbine motor
- T-Model™ Gravity Feed (600cc cup capacity)
- Standard 1.3mm air cap set
- 2-year warranty on parts and labor

+ BONUS 5 FOR 5 KIT INCLUDED

GRAVITY FEED

### SPRAY GUN ACCESSORIES

#2060	Cup Parts Kit (#9760 Cup)
#9760	600cc Aluminum Gravity Cup Assembly
#9860	600cc Nylon Gravity Cup Assembly
#2024L-5	Pressure Tube Long/Check Valves (5 pack)
#9030-10	Stainless Steel Mesh Barrel Strainers (10 pack)
#9720-5	Gaskets (5 pack) (#9760 Cup)

### AIR CAP SET SIZES

#5100-1	Air Cap Set (0.8mm)
#5100-2	Air Cap Set (1.0mm)
#5100-3	Air Cap Set (1.3mm) (Standard)
#5100-4	Air Cap Set (1.5mm)
#5100-5	Air Cap Set (1.8mm)
#5100-6	Air Cap Set (2.0mm)
#5100-7	Air Cap Set (2.5mm)

### TURBINE ACCESSORIES

#5029	Turbine Filter
#2049F	6' Whip Hose - Blue

### NOTE

220-240 volts (50Hz) & 5.75 amps turbine available via special order.



## Q PLATINUM™ SERIES

# GXPC-2895

## Q5 PLATINUM™

WITH G-XPC™ GRAVITY FEED

### SPECIFICATIONS

- 9.5 psi output
- 5-stage 110-120v volts (60 Hz) and 11.5 amps turbine motor
- G-XPC™ Gravity Feed (400cc cup capacity)
- Standard 1.4mm air cap set
- 2-year warranty on parts and labor

+ BONUS 5 FOR 5 KIT INCLUDED

#### GRAVITY FEED

### SPRAY GUN ACCESSORIES

#2030	Cup Parts Kit
#9850	400cc Aluminum Gravity Cup Assembly
#9870	600cc Nylon Gravity Cup Assembly
#2024L-5	Pressure Tube Long/Check Valves (5 pack)
#9050-5	400cc Gaskets (5 pack)

### AIR CAP SET SIZES

#8050-2	Air Cap Set (0.7mm)
#8050-3	Air Cap Set (1.0mm)
#8050-4	Air Cap Set (1.4mm) <b>(Standard)</b>
#8050-5	Air Cap Set (1.8mm)
#8050-6	Air Cap Set (2.2mm)

### TURBINE ACCESSORIES

#5029	Turbine Filter
#2049F	6' Whip Hose - Blue

### NOTE

220-240 volts (50Hz) & 5.75 amps turbine available via special order.



## TURBINE SPRAY GUNS

**M-Model™**

**T-Model™**

**G-XPC™**

## TURBINE SPRAY GUNS

# Which HVLP spray gun is best for you?

All Fuji Spray HVLP spray guns are non-bleed, meaning that air passes through the spray gun only when the trigger is engaged. All newer Fuji turbines are designed and built with a bleed-off inside the turbine to allow for use with any non-bleed spray gun.

### TURBINE SPRAY GUNS BENEFITS

- Stay Cool Handle™ - nylon coated handle always stays cool even after long periods of spraying
- Non-bleed spray gun - reduces the blowing of shop dust and negligible turbulence in the spray area. Less paint build-up on the tip of the fluid nozzle. Noise (hiss or air) also appears to be lessened, because now the hiss of air is intermittent
- Stainless-steel (interiors) fluid passages prevent wear on the needle and tip, resulting in the longevity of the air cap set and spray gun - Suitable for both waterborne & solvent-based coatings
- 3M PPS™ Compatible



**M-Model™**

For weekend warriors and hobbyists

7001/7003 (1 Qt. Bottom Feed Cup)  
7002G (400cc Gravity Feed Cup)

Convertible M-Model™ spray gun

Dedicated Fan Pattern Control allows quick adjustment from circular to wide fan spray



**T-Model™ Series**

For professionals and serious hobbyists

5070 (1 Qt. Bottom Feed Cup)  
5175G (600cc Gravity Feed Cup)

Sleek, ergonomic, and well balanced

20% lighter allows for easy maneuvering and less fatigue

Offers ultimate flexibility and control

One of the only turbine spray gun on the market with a patented side-mounted Fan Pattern Control™

Obtain a professional finish with all types of coatings



**G-XPC™**

For professionals requiring flexibility

9600-G-XPC  
(400cc Gravity Feed Cup)

Adjustable side-mounted cup with the Swivel N' Set™ feature allows the operator to spray in any direction

Side-mounted Fan Pattern Control allows quick adjustment from circular to wide fan spray at your fingertips

Especially popular with bathtub refinishers but perfect for cabinets/ furniture and automotive

Convenient kick stand on cup assembly makes filling the cup easy





## TURBINE SPRAY GUNS

### M-Model™

Our recommended spray gun for any weekend warrior or beginner craftsman looking to get the job done – The Fuji Spray M-Model™ is the spray gun of choice offered with all of our DIY Series spray systems. Equipped with either a 1 Qt. bottom feed cup or 400cc gravity feed cup; rear pattern control; and a 1.3mm or 1.8mm air cap set; this spray gun is ideal for small workshops and home use, for spraying cabinets, doors, trim, and furniture.

The M-Model™ spray guns are non-bleed, meaning that air passes through the spray gun only when the trigger is pulled, resulting in less turbulence in the spray area, less paint buildup on the tip of the fluid nozzle, and far less spray gun noise. All newer Fuji Spray turbines are designed and built with a bleed-off inside the turbine to allow the use of any non-bleed spray gun.

### KEY FEATURES

- Convertible, non-bleed, turbine spray gun – easily switch from a bottom feed to a gravity feed gun and vice versa
- Disassembles easily for quick clean-up and maintenance
- Dedicated fan pattern control - allows for vertical, horizontal, or circular applications, and can easily adjust from 1” circular to 12” oval pattern
- Available in bottom feed (1Qt.) or gravity (400cc) models
- Stay Cool Handle™ nylon-coated handle always stays cool and provides a comfortable grip
- Air cap sets ranging from 0.8mm to 2.0mm

## SPECIFICATION CHART

**M-Model™**

COMPONENTS	7001 M-Model™ BOTTOM	7002G M-Model™ GRAVITY	7003 M-Model™ BOTTOM
Cup Capacity	1 Qt. (1000cc) Aluminum	400cc Aluminum	1 Qt. (1000cc) Aluminum
Air Cap Set	1.3mm	1.3mm	1.8mm
Handle Color	Blue	Blue	Black
Pattern	1" - 12"	1" - 12"	1" - 12"
Weight	1.87 lbs	1.76 lbs	1.87 lbs

**NOTE**

The parts for the M-Model™ spray guns are proprietary to the model and are not compatible with other Fuji Spray guns.

This spray gun is not compatible with compressors.





## M-MODEL™ SERIES

# 7001

## M-Model™

### BOTTOM FEED SPRAY GUN

#### SPECIFICATIONS

- 1 Qt. (1000cc) Aluminum Cup Assembly
- 1" - 12" Fan Pattern Adjustment at the back of spray gun
- Standard 1.3mm air cap set
- 2-year warranty on parts and labor

#### BOTTOM FEED

#### SPRAY GUN ACCESSORIES

#2098	Cup Parts Kit
#2092	1 Qt. Aluminum Cup
#2093T	1 Qt. Aluminum Cup (Teflon Coated)
#2024-5	Pressure Tube/Check Valves (5 pack)
#2096-3	Plastic Diaphragm (3 pack)
#2097-10	Gaskets - 1 Qt. Cup Lid (10 pack)
#9055-10	Strainers (10 pack)
#2342-Blue	Rebuild Kit

#### AIR CAP SET SIZES

#7020-1	Air Cap Set (0.8mm)
#7020-2	Air Cap Set (1.0mm)
#7020-3	Air Cap Set (1.3mm) (Standard)
#7020-4	Air Cap Set (1.5mm)
#7020-5	Air Cap Set (1.8mm)
#7020-6	Air Cap Set (2.0mm)

#### NOTE

The 7001 is the bottom feed spray gun of choice offered with the Semi-PRO™ 2 spray systems.



## M-MODEL™ SERIES

# 7002G

## M-Model™

### GRAVITY FEED SPRAY GUN

#### SPECIFICATIONS

- 400cc Aluminum Cup Assembly via a U-Tube Connection
- 1" - 12" Fan Pattern Adjustment at the back of spray gun
- Standard 1.3mm air cap set
- 2-year warranty on parts and labor

#### GRAVITY FEED

#### SPRAY GUN ACCESSORIES

#2030	Cup Parts Kit
#9960	U-Tube 400cc Gravity Cup Conversion
#2024L-5	Pressure Tube Long/Check Valves (5 pack)
#9050-5	Gaskets (5 pack)
#2342-Blue	Rebuild Kit

#### AIR CAP SET SIZES

#7020-1	Air Cap Set (0.8mm)
#7020-2	Air Cap Set (1.0mm)
#7020-3	Air Cap Set (1.3mm) (Standard)
#7020-4	Air Cap Set (1.5mm)
#7020-5	Air Cap Set (1.8mm)
#7020-6	Air Cap Set (2.0mm)

#### NOTE

The 7002G is the gravity feed spray gun of choice offered with the Semi-PRO™ 2 spray systems.



## M-MODEL™ SERIES

# 7003

## M-Model™

### BOTTOM FEED SPRAY GUN

#### SPECIFICATIONS

- 1 Qt. (1000cc) Aluminum Cup Assembly
- 1" - 12" Fan Pattern Adjustment at the back of spray gun
- Standard 1.8mm air cap set
- 2-year warranty on parts and labor

#### BOTTOM FEED

### SPRAY GUN ACCESSORIES

#2098	Cup Parts Kit
#2092	1 Qt. Aluminum Cup
#2093T	1 Qt. Aluminum Cup (Teflon Coated)
#2024-5	Pressure Tube/Check Valves (5 pack)
#2096-3	Plastic Diaphragm (3 pack)
#2097-10	Gaskets - 1 Qt. Cup Lid (10 pack)
#9055-10	Strainers (10 pack)
#2342-Black	Rebuild Kit

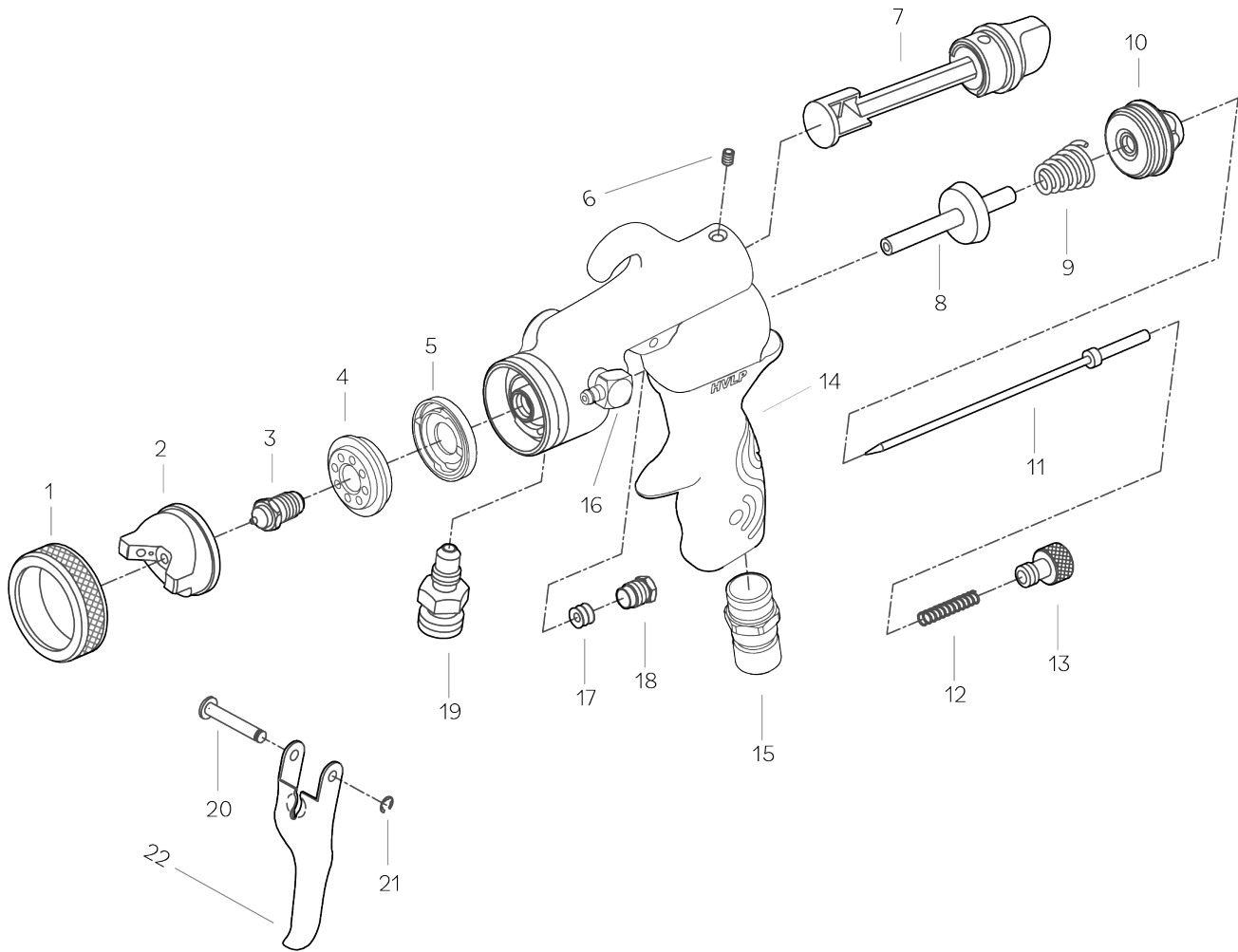
### AIR CAP SET SIZES

#7020-1	Air Cap Set (0.8mm)
#7020-2	Air Cap Set (1.0mm)
#7020-3	Air Cap Set (1.3mm)
#7020-4	Air Cap Set (1.5mm)
#7020-5	Air Cap Set (1.8mm) <b>(Standard)</b>
#7020-6	Air Cap Set (2.0mm)

#### NOTE

The 7003 is the bottom feed spray gun of choice offered with the Hobby-PRO™ 2 spray system.

## PARTS DIAGRAM

**M-Model™**

## PARTS DIAGRAM

**M-Model™**

ITEM	PART	NAME	NOTE
1	2301	Collar	**
2	-	Air Cap	*
3	-	Fluid Nozzle	*
4	2303	Air Diffuser	**
5	2320	Air Divider	
6	2323	Allen Screw	
7	2308	Fan Pattern Control Assembly - Blue	**
	2338	Fan Pattern Control Assembly - Black	**
8	2321	Spindle Valve	
9	2322	Spindle Valve Spring	
10	2319	Fluid Screw Nut	
11	-	Needle	*
12	2309	Needle Spring	**
13	2307	Fluid Control Knob	**
14	-	Spray Gun Handle	X
15	-	Hose Connector	X
16	2304	Square 90 Degree Nipple	
17	2312	Needle Packing	**
18	2313	Needle Packing Nut	
19	-	Fluid Coupler	X
20	2330	Trigger Pin	
21	2331	Retaining Ring	
22	2315	Trigger	

**NOTE**

(X) Part not to be removed

(\*) Part only available together as a full Air Cap Set (#7020-)

(\*\*) Part available with Rebuild Kit (#2342)



## TURBINE SPRAY GUNS

### T-Model™

Ultimate flexibility and control – Fuji Spray’s T-Model™ offers you that and more. Our T-Model™ HVLP Spray Gun uses innovative Canadian technology to deliver an enhanced spray pattern for exceptional performance, featuring a brand-new sleek and ergonomic design for a well-balanced grip.

Being 20% lighter than most guns on the market, the T-Model™ allows for easy maneuvering and less fatigue on the operator. Easily adjust the size of the fan with the exclusive side-mounted Fan Pattern Control™, allowing you to switch from circle to wide pattern and everything in between. This feature provides full incremental adjustment of the fan size by simply turning the knob counter-clockwise for a smaller pattern and clockwise for larger.

The T-Model™ spray guns are non-bleed, meaning that air passes through the spray gun only when the trigger is pulled, resulting in less turbulence in the spray area, less paint buildup on the tip of the fluid nozzle, and far less spray gun noise. All newer Fuji Spray turbines are designed and built with a bleed-off inside the turbine to allow the use of any non-bleed spray gun.

### KEY FEATURES

- Rotating Nipple Assembly for pressure tubes – makes for easier adjustment especially for those who are left-handed
- Stay Cool Handle™ nylon-coated handle always stays cool and provides a comfortable grip
- Disassembles easily for quick clean-up and maintenance
- Metal fluid knob and collar
- T-70™ (Bottom feed -1Qt. Cup) great for large jobs with less time spent on refilling the cup
- T75G™ (Gravity feed - 600cc) with center-mounted gravity cup is great for horizontal substrates, shading/touch up work and the preferred choice of automotive refinishers
- Stainless-steel fluid passages - ideal for waterborne & solvent-based coatings
- Air cap sets ranging from 0.8mm to 2.5mm
- 3M PPS™ Compatible

## SPECIFICATION CHART

**T-Model™**

COMPONENTS	5070 T70™ BOTTOM	5175G T75G™ GRAVITY
Cup Capacity	1 Qt. (1000cc) Aluminum	600cc Nylon
Air Cap Set	1.3mm	1.3mm
Handle Color	Blue	Blue
Pattern	0.5" - 15"	0.5" - 15"
Weight	1.87 lbs	1.76 lbs

**NOTE**

The parts for the T-Model™ spray guns are proprietary to the model and are not compatible with other Fuji Spray guns.

This spray gun is not compatible with compressors.



## T-MODEL™ SERIES

# 5070

# T70™

BOTTOM FEED SPRAY GUN

### SPECIFICATIONS

- 1 Qt. (1000cc) Aluminum Cup Assembly
- 0.5" – 15" adjustable side-mounted Fan Pattern Control™
- Standard 1.3mm air cap set
- 2-year warranty on parts and labor

BOTTOM FEED

### SPRAY GUN ACCESSORIES

#2098	Cup Parts Kit
#2092	1 Qt. Aluminum Cup
#2093T	1 Qt. Aluminum Cup (Teflon Coated)
#2024-5	Pressure Tube/Check Valves (5 pack)
#2096-3	Plastic Diaphragm (3 pack)
#2097-10	Gaskets - 1 Qt. Cup Lid (10 pack)
#9055-10	Strainers (10 pack)
#5262	Rebuild Kit

### AIR CAP SET SIZES

#5100-1	Air Cap Set (0.8mm)
#5100-2	Air Cap Set (1.0mm)
#5100-3	Air Cap Set (1.3mm) (Standard)
#5100-4	Air Cap Set (1.5mm)
#5100-5	Air Cap Set (1.8mm)
#5100-6	Air Cap Set (2.0mm)
#5100-7	Air Cap Set (2.5mm)

### NOTE

The 5070 is a bottom feed spray gun of choice offered with the Mini-Mite PLATINUM™ and Q PLATINUM™ spray systems.





## T-MODEL™ SERIES

# 5175G

# T-75G™

GRAVITY FEED SPRAY GUN

### SPECIFICATIONS

- 600cc Nylon Cup Assembly
- 0.5" – 15" adjustable side-mounted Fan Pattern Control™
- Standard 1.3mm air cap set
- 2-year warranty on parts and labor

#### GRAVITY FEED

### SPRAY GUN ACCESSORIES

#2060	Cup Parts Kit (#9760 Cup)
#9760	600cc Aluminum Gravity Cup Assembly
#9860	600cc Nylon Gravity Cup Assembly
#2024L-5	Pressure Tube Long/Check Valves (5 pack)
#9030-10	Stainless Steel Mesh Barrel Strainers
#9720-5	Gaskets (5 pack) (#9760 Cup)
#5262	Rebuild Kit

### AIR CAP SET SIZES

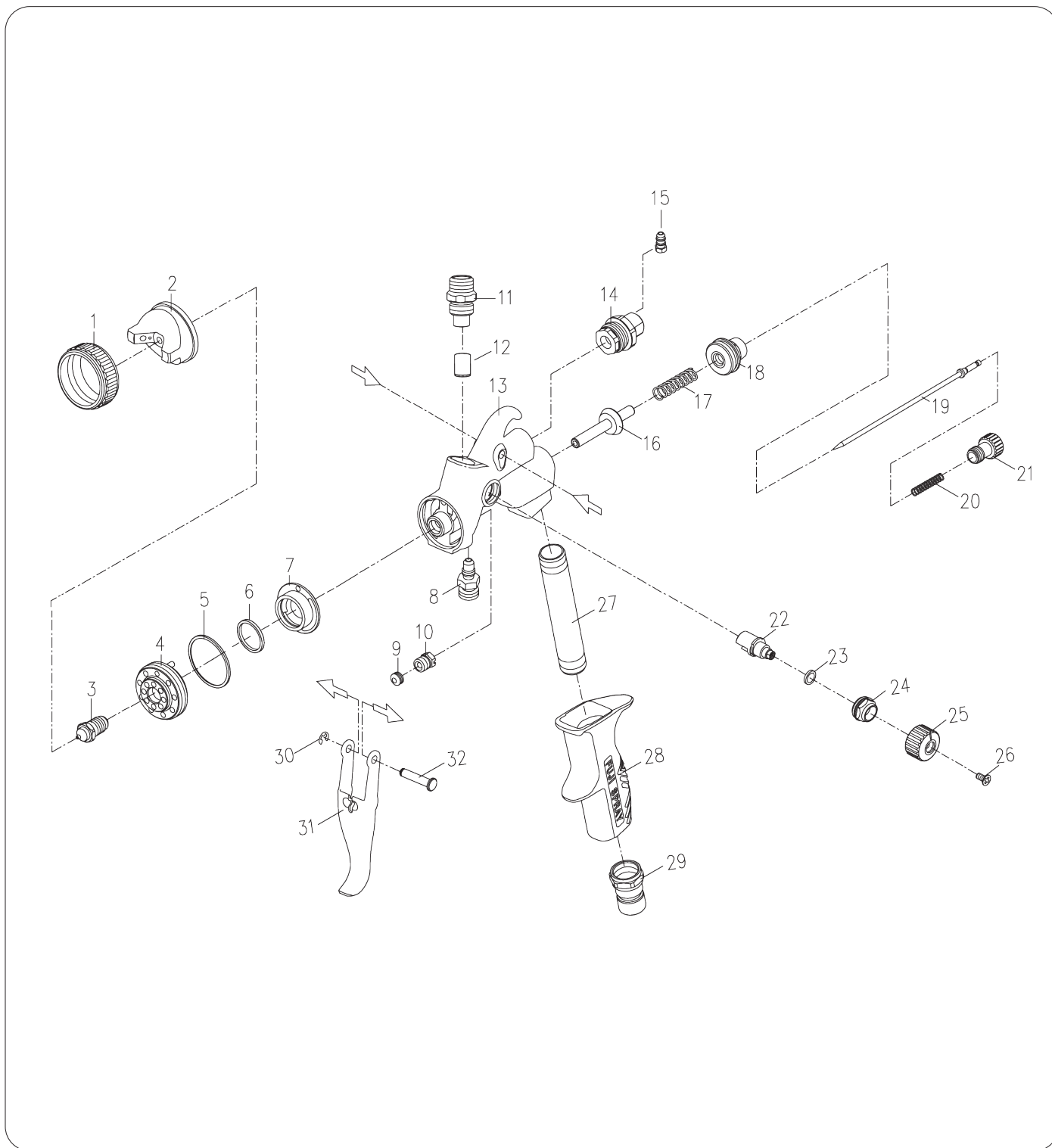
#5100-1	Air Cap Set (0.8mm)
#5100-2	Air Cap Set (1.0mm)
#5100-3	Air Cap Set (1.3mm) (Standard)
#5100-4	Air Cap Set (1.5mm)
#5100-5	Air Cap Set (1.8mm)
#5100-6	Air Cap Set (2.0mm)
#5100-7	Air Cap Set (2.5mm)

### NOTE

The 5175G is a gravity feed spray gun of choice offered with the Mini-Mite PLATINUM™ and Q PLATINUM™ spray systems.

# PARTS DIAGRAM

## T-Model™



## PARTS DIAGRAM

**T-Model™**

ITEM	PART	NAME	NOTE
1	5201	Collar	***
2	-	Air Cap	*
3	-	Fluid Nozzle	*
4	5204	Air Diffuser	
5	5205	Diffuser Seal	***
6	5206	Air Divider Seal	***
7	5207	Air Divider	***
8	-	Fluid Coupler - Bottom Feed (T-70)	X
9	5209	Needle Packing	***
10	5210	Needle Packing Nut	
11	-	Fluid Coupler - Gravity Feed (T-75G)	X
12	-	Fluid Coupler Seal	X
13	-	Gun Body	X
14	5250	Rotating Nipple Assembly	
15	5215	Nipple	
16	5216	Spindle Valve	
17	5217	Spindle Valve Spring	***
18	5218	Fluid Screw Nut	
19	-	Needle	*
20	5220	Needle Spring	***
21	5221	Fluid Control Knob	***
22	-	Air Deflector	**
23	-	Air Deflector Seal	**
24	-	Air Deflector Nut	**
25	-	Pattern Control Knob	**
26	-	Pattern Control Locking Screw	**
27	-	Handle Tube	X
28	-	Handle	X
29	-	Hose Connector	X
30	5230	Retaining Ring	
31	5231	Trigger	
32	5232	Trigger Pin	

**NOTE**

(X) Part not to be removed

(\*) Part only available together as a full Air Cap Set (#5100-)

(\*\*) Part available with Rebuild Kit (#5262)

(\*\*\*) Part only available together as full Pattern Control Assembly (#5250)



## TURBINE SPRAY GUNS

### G-XPC™ Model

Featured with a side-mounted pressurized 400cc gravity cup with kick stand and a swivel and set feature. The G-XPC™ easily allows the operator to spray in any direction, making it perfect for bathtub and countertop refinishing, cabinet casework, and elaborate bespoke furniture. With the G-XPC™ you have a full range of spraying right at your fingertips!

Some of the most sought after features of this spray gun are the exclusive side-mounted Fan Pattern Control™ to adjust the fan size, and the swivel and set cup.

The G-XPC™ gravity spray gun is non-bleed, meaning that air passes through the spray gun only when the trigger is pulled, resulting in less turbulence in the spray area, less paint buildup on the tip of the fluid nozzle, and far less spray gun noise. All newer Fuji Spray turbines are designed and built with a bleed-off inside the turbine to allow the use of any non-bleed spray gun.

#### KEY FEATURES

- Swivel N' Set™ cup feature - allows the user to spray at any angle easily
- Side-mounted Fan Pattern Control
- Stay Cool Handle™ nylon-coated handle always stays cool and provides a comfortable grip
- Air cap sets ranging from 0.7mm to 2.2mm
- 3M PPS™ Compatible

#### NOTE

The parts for the G-XPC™ spray gun are proprietary to the model and are not compatible with other Fuji Spray guns.

This spray gun is not compatible with compressors.



G-XPC™ MODEL

**9600-G**

**G-XPC™**

GRAVITY FEED SPRAY GUN

### SPECIFICATIONS

- 400cc Aluminum Cup Assembly
- 0.5" – 15" adjustable side-mounted Fan Pattern Control™
- Standard 1.4mm air cap set
- 2-year warranty on parts and labor

GRAVITY FEED

### SPRAY GUN ACCESSORIES

#2030	Cup Parts Kit
#9850	400cc Aluminum Gravity Cup Assembly
#9870	600cc Nylon Gravity Cup Assembly
#2024L-5	Pressure Tube Long/Check Valves (5 pack)
#9050-5	Gaskets (5 pack)
#9610	Rebuild Kit

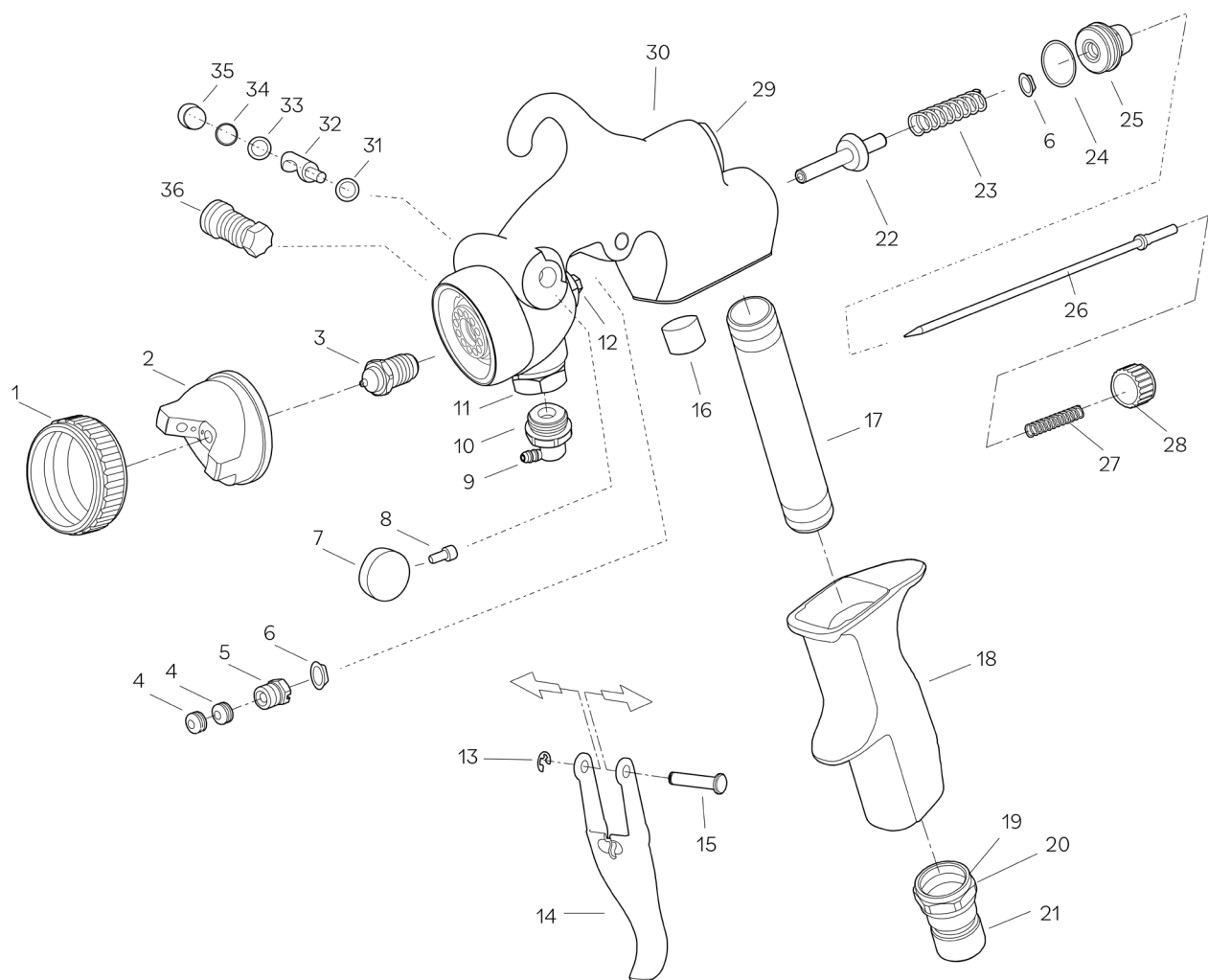
### AIR CAP SET SIZES

#8050-2	Air Cap Set (0.7mm)
#8050-3	Air Cap Set (1.0mm)
#8050-4	Air Cap Set (1.4mm) (Standard)
#8050-5	Air Cap Set (1.8mm)
#8050-6	Air Cap Set (2.2mm)

### NOTE

The 9600-G-XPC is a gravity feed spray gun of choice offered with the Mini-Mite PLATINUM™ and Q PLATINUM™ spray systems.

## PARTS DIAGRAM

**G-XPC™**

## PARTS DIAGRAM

**G-XPC™**

ITEM	PART	NAME	NOTE
1	6094	Collar - Blue	**
2	-	Air Cap	*
3	-	Fluid Nozzle	*
4	8007	Needle Packing (2)	**
5	8008	Needle Packing Nut	**
6	8025	Spindle Valve Seal	**
7	6073	Pattern Control Knob - Blue	
8	6072	Allen Screw	
9	2021	90 Degree Nipple	
10	2020	Nipple Adapter	
11	7006	Jamb Nut Combo	
13	8042	Retaining Ring for Trigger Pin	
14	8040	Trigger	
15	8041	Trigger Pin	
22	8021	Spindle Valve	
23	8026	Spindle Valve Spring	**
24	8030	Fluid Screw Nut Seal	**
25	8031	Fluid Screw Nut	
26	-	Needle Assembly	*
27	8019	Needle Spring	**
28	8029	Fluid Control Knob	**
29	7007ST	Rear Barrel Plug	
32	6075	Air Deflector	
33	6077	Deflector Shaft Seal	
34	6080	Wave Spring	
36	6074	Air Deflector Plug	
36	-	Fluid Coupler	X

**NOTE**

(X) Part not to be removed

(\*) Part only available together as a full Air Cap Set (#8050-)

(\*\*) Part available with Rebuild Kit (#9610)



## TOUCH UP SPRAY GUN

# 9622

## TOUCH UP SPRAY GUN

BOTTOM FEED BLEEDER SPRAY GUN

### SPECIFICATIONS

- 8oz Nylon Mini Cup Assembly
- 0.25" - 6" fan pattern adjustment
- Standard 1.0mm air cap set
- 2-year warranty on parts and labor

The Fuji Spray Touch-Up turbine spray gun can be used with any HVLP turbine. Just attach with the quick connect coupler on your hose and begin spraying! Assembled with an 8oz mini cup, and 1.0mm air cap set, this spray gun also features stainless steel fluid passages as well as needle and nozzle.

Unlike all other Fuji Spray guns, the Touch-Up turbine gun is a bleeder style spray gun, which means air will continuously blow from the front of the gun whether the trigger is engaged or not. The spray pattern can be adjusted from round  $\frac{1}{4}$ " to 6" spray pattern. Additional size 1.8 mm air cap set is available as an accessory.

This spray gun is great for projects that require smaller touch-up work and is ideal for hard-to-reach places.

#### BOTTOM FEED

### SPRAY GUN ACCESSORIES

#9629-3	Pressure Tubes
#8201ST-3	Gaskets

### AIR CAP SET SIZES

#9624	Air Cap Set (1.0) (Standard)
#9625	Air Cap Set (1.8mm)

### NOTE

The parts for the Touch Up spray gun are proprietary to the model and are not compatible with other Fuji Spray guns.

This spray gun is not compatible with compressors.





## COMPRESSOR SPRAY GUNS

**X Series**

**V8 Series**

## COMPRESSOR SPRAY GUNS

# Which compressor spray gun is best for you?



### X Series

Developed to fill the gap between conventional HP and HVLP spray guns

LX-20 (Gravity/Pressure Feed)  
MPX-30 (Gravity/Siphon Feed)

High Transfer Efficiency

Optimized air cap design results in soft spray pattern and outstanding atomization

Stainless steel fluid passages and a wide offering of air cap set sizes

Precise side-mounted fan pattern control

Mid-Pressure or HVLP Technology

Max fan width of up to 330mm



### V8 Series

Designed for high-volume production with outstanding finish

H-V8 (Gravity Feed)  
MP-V8 (Gravity Feed)

High Transfer Efficiency

Optimized air cap design results in soft spray pattern and outstanding atomization

Forged aluminum gun body with anodized internals

Precise side-mounted fan pattern control

Mid-Pressure or HVLP Technology

Max fan width of up to 325mm

360° swivel air inlet

Fewer internal components for easy maintenance

## COMPRESSOR SPRAY GUNS

**Viscosity Guide**

AIR CAP SET SIZE	OUTPUT	VISCOSITY (#4 FORD)	VISCOSITY (#2 ZAHN)	APPLICATION	MATERIALS
1.0mm	Fine	15 seconds and under	20 seconds and under	For spraying low viscosity materials. Delivers very fine atomization which makes it ideal for fine finishing and touch-ups.	Solvents, stains, inks and dyes
1.2mm	Fine to Medium	15 - 19 seconds	20 - 24 seconds	Great for most fine finishing applications and automotive applications. For low viscosity materials with little to no dilution.	Sealers, enamels, lacquers and primers, automotive base and clear coats
1.3mm					
1.4mm	Medium	19 - 23 seconds	24 - 30 seconds	Similar to 1.3mm but requires less thinning. Ideal for medium viscosity materials in general finishing.	Sealers, enamels, lacquers, primers and urethanes
1.7mm	Medium to High	23 - 31 seconds	30 - 41 seconds	For heavier film buildup and larger surfaces. Applicable for medium to high viscosity materials.	Enamels, epoxies, primers and urethanes
2.0mm	High	31 seconds and higher	41 seconds and higher	For heavier film buildup and larger surfaces. Applicable for medium to high viscosity materials.	Adhesives, high solid automotive coatings, high solid enamels and heavy bodied primers

**NOTE**

Finishing results may vary on setup depending on the gun settings and model (Gravity or Bottom feed). Keeping record of proper setup and adjustments will promote consistent results.

This reference should only be used as a starting guide.

Experimentation is the best way to determine which setup works best.



## COMPRESSOR SPRAY GUNS

### X Series

The Fuji Spray X Series has been developed to fill the gap between conventional high-pressure spray guns and HVLP.

Featuring two compressor spray guns, the LX-20™ HVLP and the MPX-30™ Mid-Pressure; perfect for any type of professional spray finishing. The X-Series is easy to operate, embodying the same familiar controls as any conventional high-pressure spray gun along with the rapid application speed and higher transfer rates. Versatile in terms of application and performance handling, it applies all types of coatings with ease – including high solid materials.

Equipped with side-mounted fan pattern control offering precise fan adjustment, reducing overspray and waste. These spray guns are intuitive, lightweight, and easy to handle. The ergonomic design allows the spray gun to feel comfortable in the hand reducing user fatigue.

#### KEY FEATURES

- High transfer efficiency means less overspray and increased savings
- Precise side mounted fan pattern control reducing overspray and waste
- Produces up to 330mm (13 inches) fan pattern
- Optimized air cap design results in soft spray pattern and outstanding atomization
- VOC compliant
- 100% stainless steel fluid passages and a wide offering of air cap set sizes
- Available in Mid-Pressure or HVLP Technology
- LX-20™ and MPX-30™ kits include extra tip(s) and regulator



## X SERIES

# LX-20™ HVLP COMPRESSOR SPRAY GUN

### SPECIFICATIONS

- Air supply pressure: 26 psi at gun inlet (1.8 bar)
- Air consumption: 15.2cfm
- Air inlet size: 1/4" bsp and nps
- Air supply hose: 5/16" id
- Fluid coupler (pressure feed): 3/8" x 19p
- Fluid coupler (gravity feed): m 16 x 1.5p
- Gun weight (without cup): 502g (1.1 lbs)

#### GRAVITY FEED & BOTTOM FEED

### SPRAY GUN ACCESSORIES

#6360	600cc Gravity Cup Assembly
#6375	3oz Gravity Cup Assembly
#8081-3	Gaskets (3oz Cup) (3 pack)
#6380	Pressure Regulator Gauge
#6282	Rebuild Kit

### AIR CAP SET SIZES

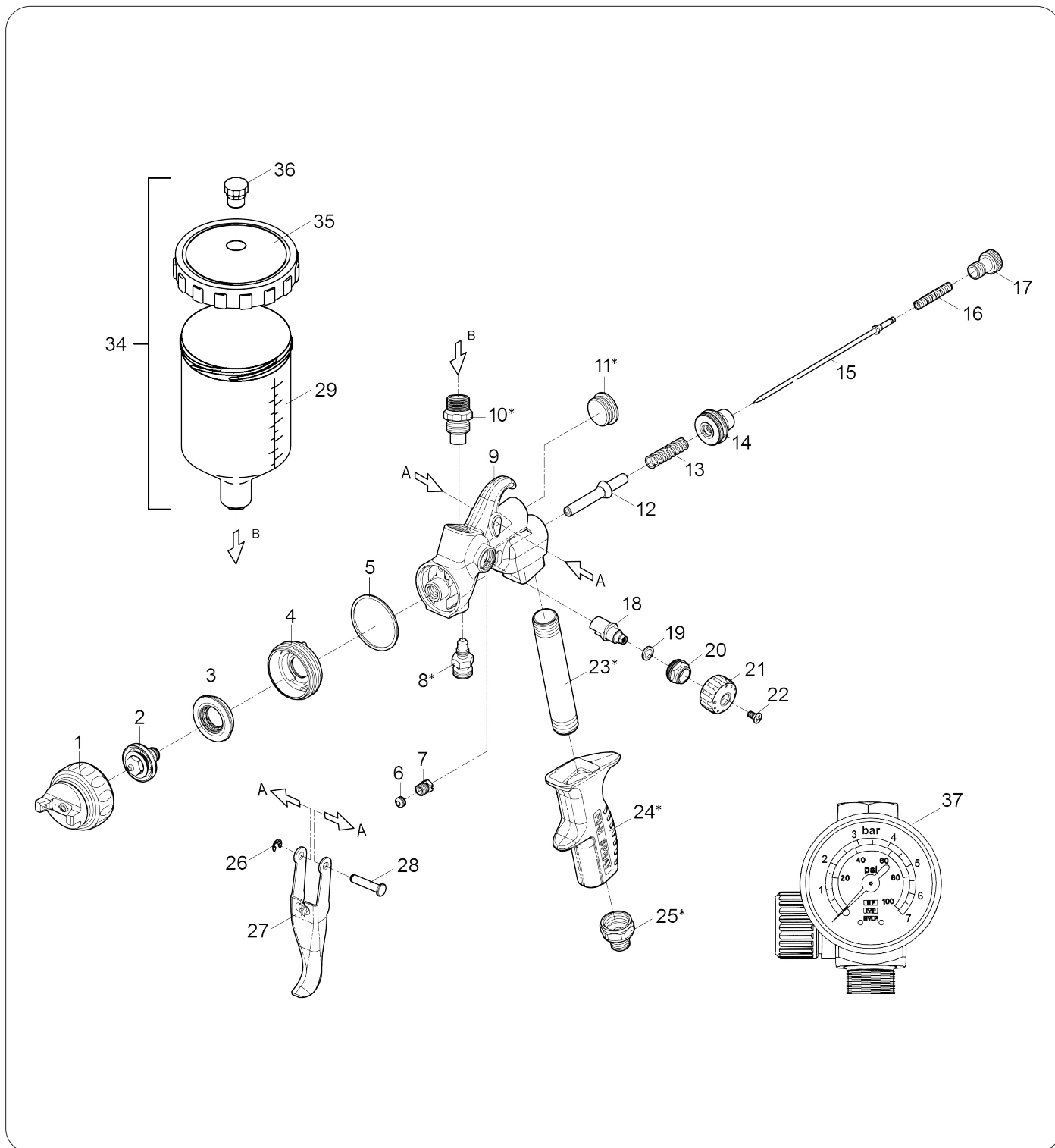
#6200LX-1.0	Air Cap Set (1.0mm)
#6200LX-1.2	Air Cap Set (1.2mm)
#6200LX-1.4	Air Cap Set (1.4mm) (Standard)
#6200LX-1.7	Air Cap Set (1.7mm)
#6200LX-2.0	Air Cap Set (2.0mm)

### LX-20™ VARIATIONS

#6260P-LX-N-14K	LX-20 Pressure + Extra 1.2 & 1.7mm
#6265G-LX-N-14K	LX-20 Gravity + Extra 1.2 & 1.7mm
#6265G-LX-C-14K	LX-20 Gravity with 600cc Nylon Cup + Extra 1.2 & 1.7mm

## PARTS DIAGRAM

## LX-20™



## PARTS DIAGRAM

## LX-20™

ITEM	PART	NAME	NOTE
1	-	Air Cap & Collar	*
2	-	Fluid Nozzle	*
3	6303	Air Distributor	**
4	6204	Air Diffuser	**
5	6305	Air Diffuser Seal	**
6	6306	Needle Packing	**
7	6307	Needle Packing Nut	**
8	-	Fluid Coupler - Pressure Fed	X
9	-	Gun Body	X
10	-	Fluid Coupler - Gravity	X
11	-	Rear Barrel Plug	X
12	6312	Spindle Valve	**
13	6313	Valve Spring	**
14	6314	Fluid Screw Nut	**
15	-	Needle	*
16	6316	Needle Spring	**
17	6217	Fluid Control Knob	**
18	6318	Air Deflector	***
19	6319	Deflector Seal	***
20	6320	Control Knob Nut	***
21	6221	Pattern Control Knob	***
22	6322	Locking Screw	***
23	-	Handle Tube	X
24	-	Handle	X
25	-	Air Connector	X
26	6326	Trigger Retaining Ring	
27	6327	Trigger	
28	6328	Trigger Pin	

## NOTE

(X) Part not to be removed

(\*) Part only available together as a full Air Cap Set (#6200LX-)

(\*\*) Part available with Rebuild Kit (#6282)

(\*\*\*) Part available in Pattern Control Assembly (#6283)



## X SERIES

# MPX-30™ MID-PRESSURE COMPRESSOR SPRAY GUN

## SPECIFICATIONS

- Air supply pressure: 36 psi at gun inlet (2.5 bar)
- Air consumption: 13.8cfm
- Air inlet size: 1/4" bsp and nps
- Air supply hose: 5/16" id
- Fluid coupler (siphon feed): 3/8" x 19p
- Fluid coupler (gravity feed): m 16 x 1.5p
- Gun weight (without cup): 502g (1.1 lbs)

### GRAVITY FEED & BOTTOM FEED

## SPRAY GUN ACCESSORIES

#6372	1 Qt. Bottom Cup Assembly
#6330	1 Qt. Cup
#6360	600cc Gravity Cup Assembly
#6375	3oz Gravity Cup Assembly
#6332-3	Diaphragm (3 pack)
#6331-5	Gaskets (1 Qt. Cup) (5 pack)
#8081-3	Gaskets (3oz Cup) (3 pack)
#6380	Pressure Regulator Gauge
#6382	Rebuild Kit

## AIR CAP SET SIZES

#6300MPX-1.0	Air Cap Set (1.0mm)
#6300MPX-1.3	Air Cap Set (1.3mm)
#6300MPX-1.4	Air Cap Set (1.4mm) (Standard) (Gravity feed)
#6300MPX-1.7	Air Cap Set (1.7mm) (Standard) (Siphon feed)
#6300MPX-2.0	Air Cap Set (2.0mm)

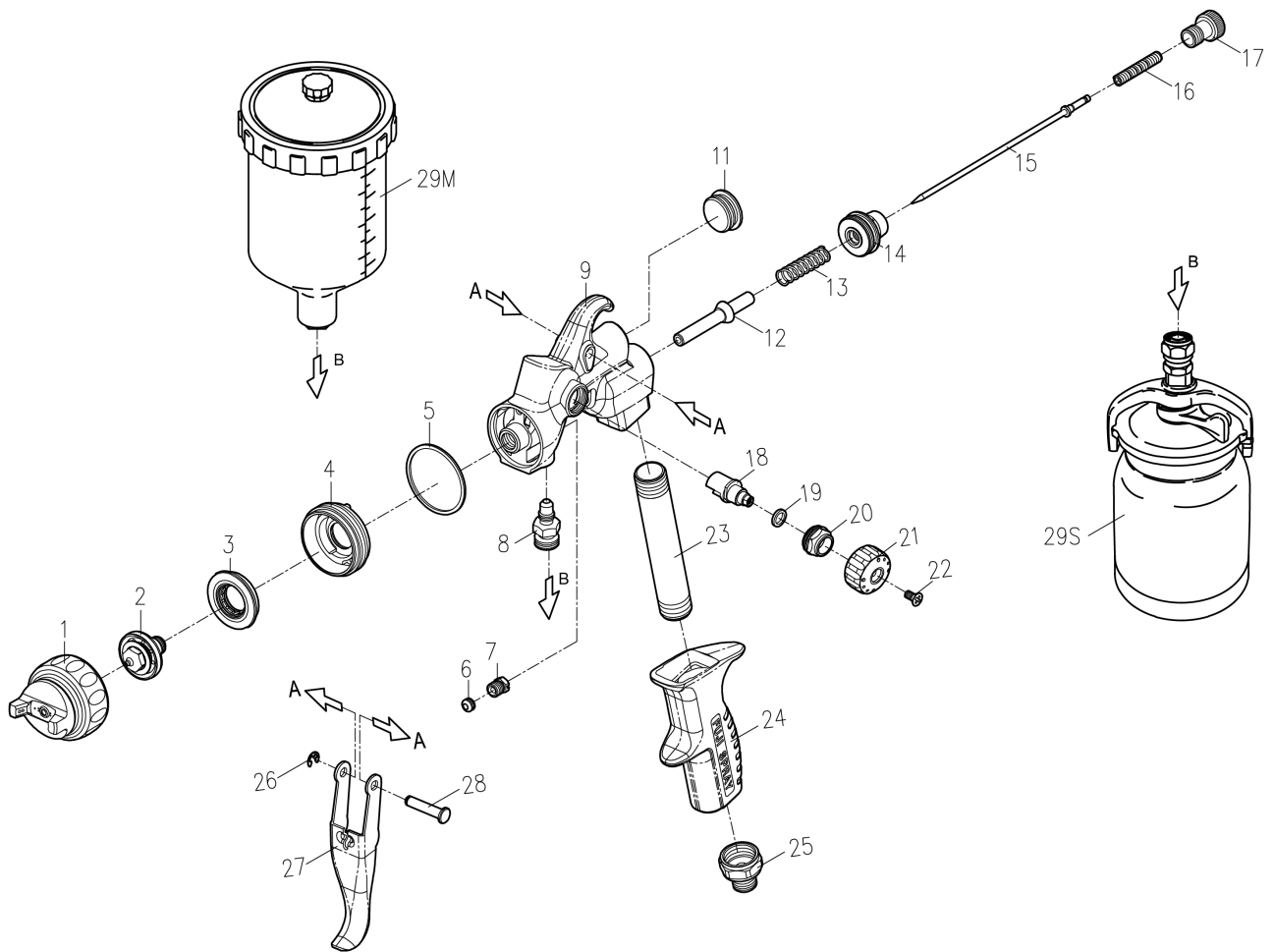
## MPX-30™ VARIATIONS

#6350S-MP-C-17K	MPX-30 Siphon with 1Qt Cup + Extra 1.4mm
#6350S-MP-N-17K	MPX-30 Siphon + Extra 1.4mm
#6355G-MP-C-14K	MPX-30 Gravity with 600cc Nylon Cup + Extra 1.3mm
#6355G-MP-N-14K	MPX-30 Gravity + Extra 1.3mm



## PARTS DIAGRAM

## MPX-30™



## PARTS DIAGRAM

**MPX-30™**

ITEM	PART	NAME	NOTE
1	-	Air Cap & Collar	*
2	-	Fluid Nozzle	*
3	6303	Air Distributor	**
4	-	Air Diffuser	X
5	-	Air Diffuser Seal	X
6	6306	Needle Packing	**
7	6307	Needle Packing Nut	**
8	-	Fluid Coupler - Bottom Fed	X
9	-	Gun Body	X
10	-	Fluid Coupler - Gravity Fed	X
11	-	Rear Barrel Plug	X
12	6312	Spindle Valve	**
13	6313	Valve Spring	**
14	6314	Fluid Screw Nut	**
15	-	Needle	*
16	6316	Needle Spring	**
17	6317	Fluid Control Knob	**
18	6318	Air Deflector	***
19	6319	Deflector Seal	***
20	6320	Control Knob Nut	***
21	6321	Pattern Control Knob	***
22	6322	Locking Screw	***
23	-	Handle Tube	X
24	-	Handle	X
25	-	Air Connector	X
26	6326	Trigger Retaining Ring	
27	6327	Trigger	
28	6328	Trigger Pin	

**NOTE**

(X) Part not to be removed

(\*) Part only available together as a full Air Cap Set (#6300MPX-)

(\*\*) Part available with Rebuild Kit (#6382)

(\*\*\*) Part available in Pattern Control Assembly (#6383)



## COMPRESSOR SPRAY GUNS

### V8 Series

Specifically designed for high-volume production, the V8 Series disrupt the conventional belief that the perfect finish equates to high-priced equipment.

Fuji Spray has worked tirelessly to find competitive solutions for the modern painter – proven by the enhanced features and overall build quality of the V8 Series. Within the V8 Series are two stellar offerings – the mid-pressure MP-V8™ spray gun, and the high-volume low-pressure (HVL) H-V8™ spray gun. These spray guns are designed to spray all modern professional coatings due to the large selection of tip sizes.

Ranging from 1.2mm to 2.2mm, the V8 Series provides the professional painter with a one-stop solution for achieving an outstanding finish. Designed with convenience in mind, the V8 series boasts an enhanced fan pattern range with incremental size control as well as a 360° swivel air inlet which reduces spray gun drag resulting in a lightweight spray experience.

#### KEY FEATURES

- High transfer efficiency means less overspray and increased savings
- Precise side mounted fan pattern control reducing overspray and waste
- Produces up to 325mm (12.8 inches) fan pattern
- Forged aluminum gun body with anodized internals
- Available in Mid-Pressure or HVL Technology
- Fewer internal components for easy maintenance
- Tip sizes ranging from 1.2 to 2.2mm



## V8 SERIES

# H-V8™ HVLP SPRAY GUN

### SPECIFICATIONS

- Operating range: 9-28 psi
- Air consumption: 14.7 cfm
- Air inlet size: 1/4" bsp and nps
- Air supply hose: 6.5 x 10mm
- Fluid coupler: 3/8" PF
- Gun weight (without cup): 521g (1.15 lbs)

#### GRAVITY FEED

### SPRAY GUN ACCESSORIES

#6840	600cc Nylon Gravity Cup Assembly
#6841	600cc Aluminum Gravity Cup Assembly
#6873	Digital Regulator Gauge
#6882	Rebuild Kit

### AIR CAP SET SIZES

#6890H-V8-1.2	Air Cap Set (1.2mm)
#6890H-V8-1.3	Air Cap Set (1.3mm)
#6890H-V8-1.4	Air Cap Set (1.4mm) (Standard)
#6890H-V8-1.7	Air Cap Set (1.7mm)
#6890H-V8-2.0	Air Cap Set (2.0mm)
#6890H-V8-2.2	Air Cap Set (2.2mm)

### H-V8™ VARIATIONS

#6863G-H-V8	H-V8 Spray Gun
#6863G-H-V8-A	H-V8 Spray Gun with 600cc Aluminum Cup
#6863G-H-V8-N	H-V8 Spray Gun with 600cc Nylon Cup



## V8 SERIES

# MP-V8™

## MID-PRESSURE SPRAY GUN

### SPECIFICATIONS

- Operating range: 9-35 psi
- Air consumption: 12.2 cfm
- Air inlet size: 1/4" bsp and nps
- Air supply hose: 6.5 x 10mm
- Fluid coupler: 3/8" PF
- Gun weight (without cup): 521g (1.15 lbs)

### GRAVITY FEED

#### SPRAY GUN ACCESSORIES

#6840	600cc Nylon Gravity Cup Assembly
#6841	600cc Aluminum Gravity Cup Assembly
#6873	Digital Regulator Gauge
#6882	Rebuild Kit

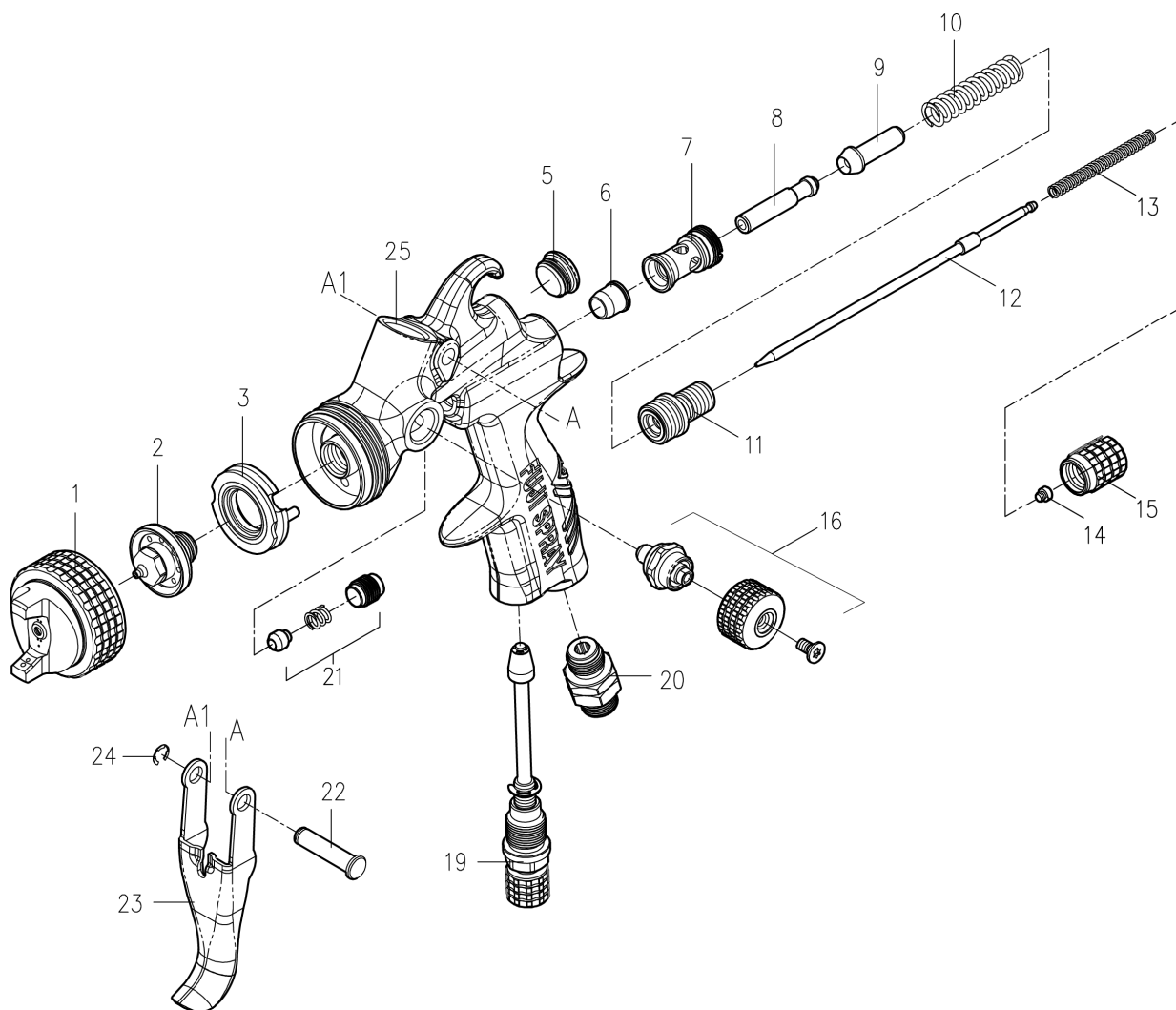
#### AIR CAP SET SIZES

#6800MP-V8-1.2	Air Cap Set (1.2mm)
#6800MP-V8-1.3	Air Cap Set (1.3mm) <a href="#">(Standard)</a>
#6800MP-V8-1.4	Air Cap Set (1.4mm)
#6800MP-V8-1.7	Air Cap Set (1.7mm)
#6800MP-V8-2.0	Air Cap Set (2.0mm)
#6800MP-V8-2.2	Air Cap Set (2.2mm)

### H-V8™ VARIATIONS

#6852G-MP-V8	MP-V8 Spray Gun
#6852G-MP-V8-A	MP-V8 Spray Gun with 600cc Aluminum Cup
#6852G-MP-V8-N	MP-V8 Spray Gun with 600cc Nylon Cup

## PARTS DIAGRAM

**V8 Series**

## PARTS DIAGRAM

**V8 Series**

ITEM	PART	NAME	NOTE
1	-	Air Cap with Collar	
2	-	Fluid Nozzle	
3	6803	Air Distributor	*
5	6805	Rear Barrel Plug with Seal	
6	-	Valve Seal	X
7	-	Spindle Valve Housing	X
8	6808	Spindle Valve Bushing	*
9	6809	Spindle Valve	*
10	6810	Spindle Valve Spring	*
11	6811	Fluid Screw Nut	*
12	-	Needle	
13	6813	Needle Spring	*
14	6814	Needle Spring Cap	*
15	6815	Fluid Control Knob	*
16	6816	Fan Pattern Control Assembly	
19	6819	Air Control Assembly	
20	-	Air Inlet	X
21	6821	Needle Packing Assembly	*
22	6822	Trigger Pin	
23	6823	Trigger	
24	6824	Trigger Retaining Ring	
25	-	Fluid Coupler	X

**NOTE**

(X) Part not to be removed

(\*) Part available with Rebuild Kit (#6882)

## TURBINE &amp; COMPRESSOR SYSTEMS

## Other Accessories

## TURBINE SYSTEMS

## MISCELLANEOUS ACCESSORIES

#3072	Wireless Turbine Remote
#2032	Air Control Valve
#2046	Quick-Connect Coupling
#2069	Power Cord (Type B)
#3050	Viscosity Cup (Ford #4)
#3100	Fuji Spray Gun Cleaning Kit (19 piece)
#5137	Carry Case - Air Cap Sets (T-Model™ and M-Model™ Series)
#5330	Spray Gun Holder (Gravity Feed Stand)
#5375	Spray Gun Holder (Gravity Feed Magnetic Stand)
#9070-40	Cone Strainers (40 pack)
#9025-3	Reusable Paint Strainers (3 pack)

## TURBINE SYSTEMS

## HOSES

#7049	Turbine Air Hose (25ft) (Blue)
#7055	Turbine Air Heat Hose (3ft)
#7073	Turbine Air Hose (30ft) (Super Duty - Grey)
#9049	Turbine Air Hose (25ft) (Black)

## TURBINE SYSTEMS

## PRESSURE POT &amp; ACCESSORIES

#5432	2 Qt. Pressure Pot Assembly Kit
#5420	2 Qt. Pot Fluid & Air Hose Combo Kit (10')
#5435-3	2 Qt. Pot Pressure Tube & Check Valve (3 pack)
#5436	2 Qt. Pot Gasket
#5444	2 Qt. Pot Pick Up Tube

## COMPRESSOR SYSTEMS

## PRESSURE POT &amp; ACCESSORIES

#5466	2 Qt. Pressure Pot & 6' hoses for fluid and air
#5470	2.5 Gallon Pressure Pot without agitator
#5486	Hose (2-in-1 Fluid & Air) (6')
#5487	Hose (2-in-1 Fluid & Air) (25')



## GET STARTED

# Frequently Asked Questions

### WHAT APPLICATIONS ARE HVLP SYSTEMS USED FOR?

The majority of end users are woodworkers, cabinet makers, mobile professionals and furniture builders, most often small shops. Every woodworker is a potential customer for a HVLP spray system.

Other common applications are automotive refinishing, bathtub resurfacing, on-site paint refinishing jobs, restoration and sunless tanning. Fuji Spray HVLP spray systems are even used in confectionary for spraying cocoa butter in chocolate molds.

### WHAT MATERIALS CAN HVLP SYSTEMS SPRAY?

Fuji Spray HVLP systems can handle all coatings designed to be used in any kind of “fine finishing” application.

This includes all waterborne and solvent base coatings like dyes, stains, lacquers, shellac, sealers, primers, enamels, urethanes, acrylics, epoxy coatings, conversion varnishes, water-based coatings, like paint and more.

Most “paint” purchased by the average homeowner is formulated mainly for brush/roller application - making it too viscous to spray. The secret to HVLP turbine spraying is thinning appropriately. Any of our HVLP spray systems can spray most finishes with adequate thinning and using the correct air cap set for the job.

### WHICH HVLP TURBINE SYSTEM IS BEST SUITED FOR ME?

The type of system you ultimately choose will depend on two factors – budget and desired finish.

The entry level DIY series 2-stage Semi-Pro or Hobby-Pro is the ideal choice for home hobbyists who intend on spraying a handful of times a year. This system is ideal for most low to medium viscosity materials.

Those looking for a more professional finish will opt of the 3-stage Mini-Mite or Q-series turbines. Most commercial sprayers will look for increased power and will opt for a 4 or 5-stage Mini-Mite or Q-series turbine system.

The higher the motor stage on the turbine, the more optimal atomization can be achieved, which will result in a finer and smoother finish, especially when it comes to higher viscosity materials. Furthermore, higher stage systems provide slightly faster speed of application.

## GET STARTED

# Frequently Asked Questions

### WHICH HVLP TURBINE SPRAY GUN IS BEST SUITED FOR ME?

The choice between a bottom feed and gravity feed spray gun is one of personal preference.

An important item to consider is the size of the cups. Based on where the cup is situated and the placement of the weight, each gun will handle slightly differently and work different parts of the wrist.

If spraying for longer periods of time, the larger cup on the bottom feed gun will allow for less pausing and refill. It is best to use a bottom feed spray gun for spraying walls and ceilings. These will hold more finish and the material cup can readjusted to ensure proper material intake when spraying ceilings. However, if spraying in tighter spaces, a 1 Qt cup may present a challenge, and therefore a gravity feed with a smaller cup may be beneficial.

### WHAT IS THE DIFFERENCE BETWEEN THE MINI-MITE PLATINUM™ AND Q PLATINUM™ SERIES?

The main difference between a Mini-Mite PLATINUM™ system and a Q PLATINUM™ system is the sound.

The “Q” stands for Quiet and is designed with patented noise reduction technology which reduces the sound of the motor by 50% and is ideal for situations where sounds level is a factor.

### WHICH AIR CAP SET SHOULD I BE USING FOR MY PROJECT?

Most guns come installed with either a 1.3mm or 1.4mm air cap set, which is the ideal choice for medium viscosity materials, such as such as polyurethane and base coats.

If spraying lower viscosity materials, such as stain or clear coats, we recommend looking into the 1.0mm air cap set as an option. For higher viscosity materials, such as paints or primers, a 1.8mm air cap set should be considered.

To determine which air cap set is best to use, referring to the material manufactures technical data sheet is a good start. Experimenting with all materials is a good idea by using the #4 Ford cup which comes with all Fuji Spray systems, to understand the viscosity. Once you have determined the viscosity of your finish, you can refer to our quick reference sheet for air cap sets and different material applications suggestions.

GET STARTED

## Frequently Asked Questions

### CAN AN HVLP TURBINE SPRAYER BE USED FOR AUTOMOTIVE APPLICATION?

The Mini-Mite PLATINUM™ and Q PLATINUM™ turbine systems are the ideal choice for finishers in the automotive industry looking to utilize a turbine system; and a 4 or 5-stage system should be considered for best results.

These systems can spray a wide array of automotive coatings including 2K paints, and will ensure optimal atomization and the highest quality finish is achieved. If operating on a tighter budget, a Semi-PRO™ 2 or Mini-Mite 3 PLATINUM™ system will provide adequate results as well.

Fuji Spray also offers two compressed air spray guns specifically designed for the automotive painter. The MP-V8™ is a mid-pressure spray gun, whereas the H-V8™ is a high-volume low-pressure (HVLP) spray gun.

These are true compressor spray guns, designed specifically for automotive aftermarket and collision repair industries.

GET STARTED

# Resources



VIDEO LIBRARY AND TUTORIALS  
**YOUTUBE CHANNEL**

[youtube.com/fujispray](https://youtube.com/fujispray)



TIPS, HOW-TOS, AND MORE  
**BLOG**

[fujispraysystems.com/blog](https://fujispraysystems.com/blog)



USER MANUALS, WARRANTY AND REGISTRATION  
**RESOURCE LIBRARY**

[fujispraysystems.com/resources](https://fujispraysystems.com/resources)



LATEST NEWS AND INFORMATION  
**NEWSLETTER**

[fujispraysystems.com/newsletter](https://fujispraysystems.com/newsletter)



AUTHORIZED DISTRIBUTORS  
**WHERE TO BUY**

[fujispraysystems.com/where-to-buy](https://fujispraysystems.com/where-to-buy)

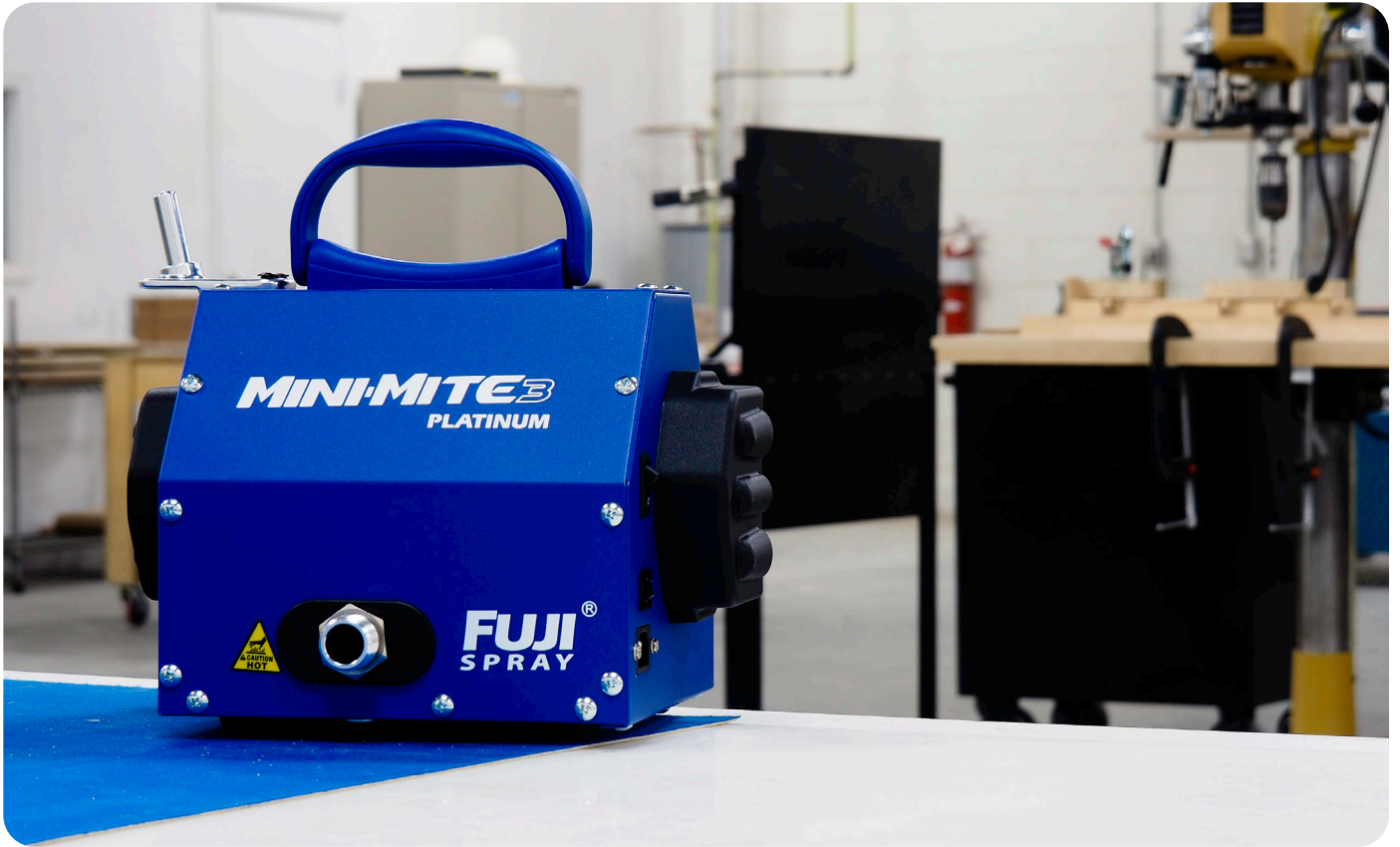


SUPPORT TEAM  
**CONTACT US**

[fujispraysystems.com/contact-us](https://fujispraysystems.com/contact-us)

WE'RE HERE TO HELP

## Contact Us



### FUJI INDUSTRIAL SPRAY EQUIPMENT LTD.



800 Alness Street  
North York, Ontario  
M3J 2H5 Canada



#### TALK TO US

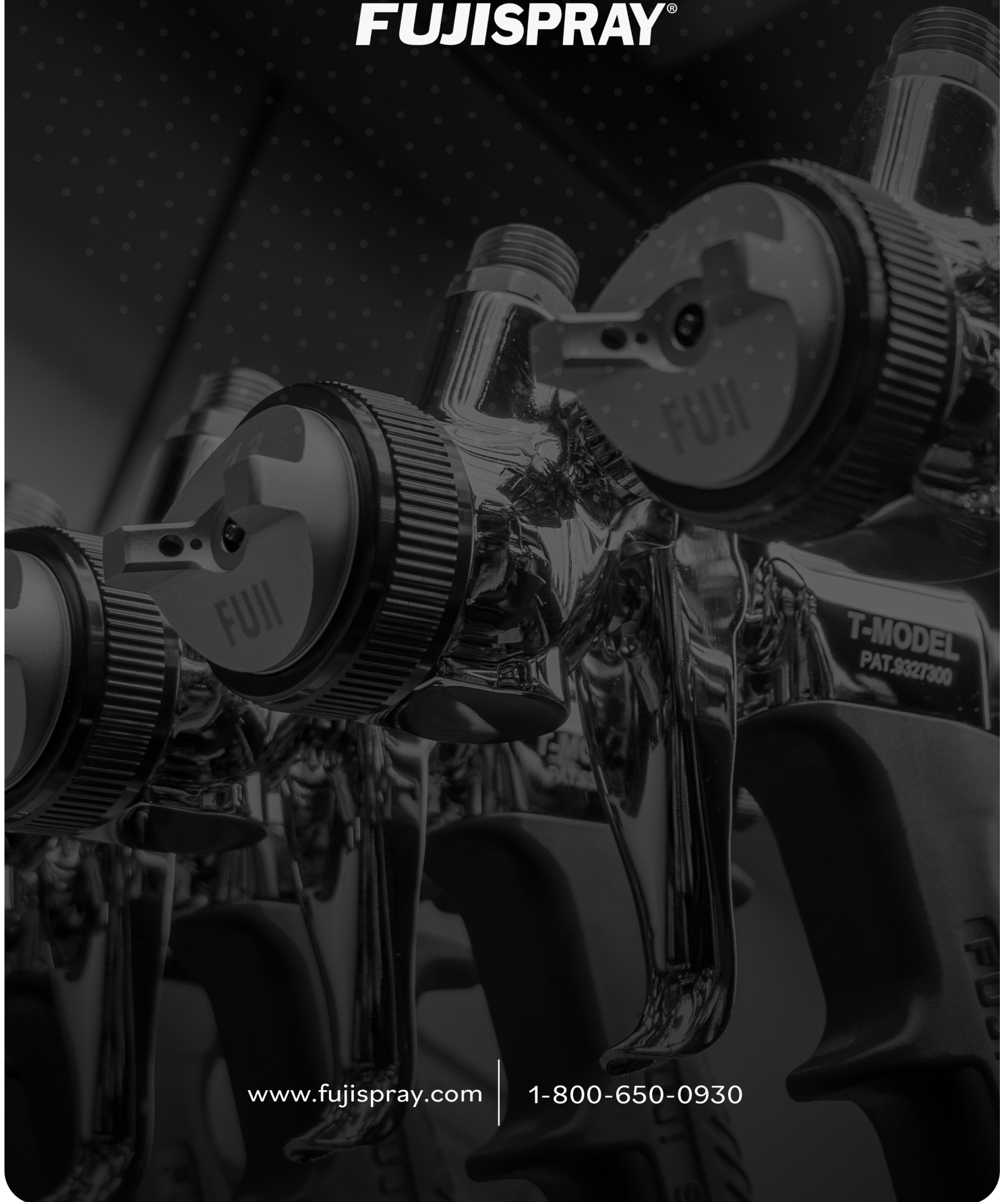
1-800-650-0930  
416-650-1430  
support@fujispray.com



#### VISIT OUR WEBSITE

[www.fujispray.com](http://www.fujispray.com)

# FUJISPRAY®



[www.fujispray.com](http://www.fujispray.com)

1-800-650-0930